

DRAWING GENERAL NOTES

1. SEE LUMINAIRE SCHEDULE ON SHEET E500 FOR BASIS OF DESIGN FOR LIGHT FIXTURES SHOWN ON RCP.
2. SEE SHEET A501 FOR INTERIOR ELEVATIONS AND WALL TILE PATTERN DETAILS.
3. ALL BASIS OF DESIGN FLOOR AND WALL TILE FINISHES AVAILABLE FROM STONE SOURCE - PHILADELPHIA. CONTACT MARC NASBERG: 202.549.3913; MNASBERG@STONESOURCE.COM
4. VERIFY IN FIELD THE SUITABILITY OF PROPOSED NEW CEILING ACCESS PANEL LOCATIONS. NOTIFY ARCHITECT IF PROPOSED LOCATION DOES NOT PROVIDE ADEQUATE ACCESS, AND PROPOSE ALTERNATE LOCATION.
5. EXISTING CEILING DEVICES ARE TO BE REPLACED WITH NEW DEVICES IN SAME QUANTITY, UNLESS OTHERWISE NOTED - SEE MEP DRAWINGS FOR ADDITIONAL INFORMATION. NEW DEVICE LOCATIONS (IN SAME GENERAL AREA AS EXISTING DEVICES) ARE AS INDICATED ON RCP.
6. NEW SPRINKLER HEADS TO BE CONCEALED/RECESSED TYPE. WHERE FEASIBLE, SPRINKLER HEADS ARE TO BE REPLACED IN SAME LOCATION AS EXISTING - SEE DRAWINGS.
7. CEILING OCCUPANCY SENSORS TO BE INSTALLED SO AS TO PROVIDE COMPLETE ROOM COVERAGE.
8. PAINT CEILINGS P-1 UNLESS NOTED OTHERWISE.

REVISIONS:

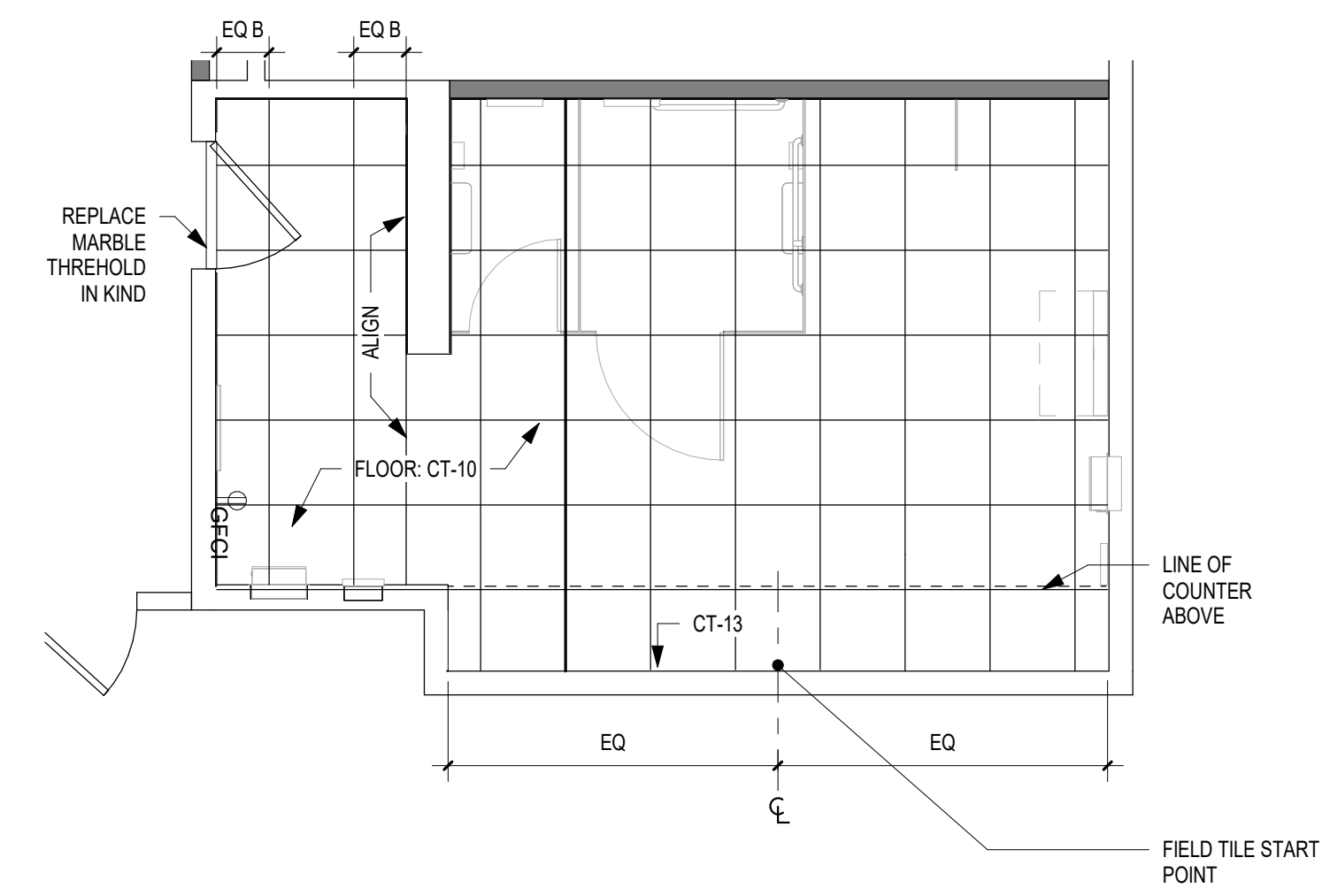
No.	Description	Date

PENNSYLVANIA CONVENTION CENTER
PCCA RESTROOM RENOVATIONS
OVERLOOK RESTROOMS
 1101 ARCH STREET, PHILADELPHIA, PA 19107

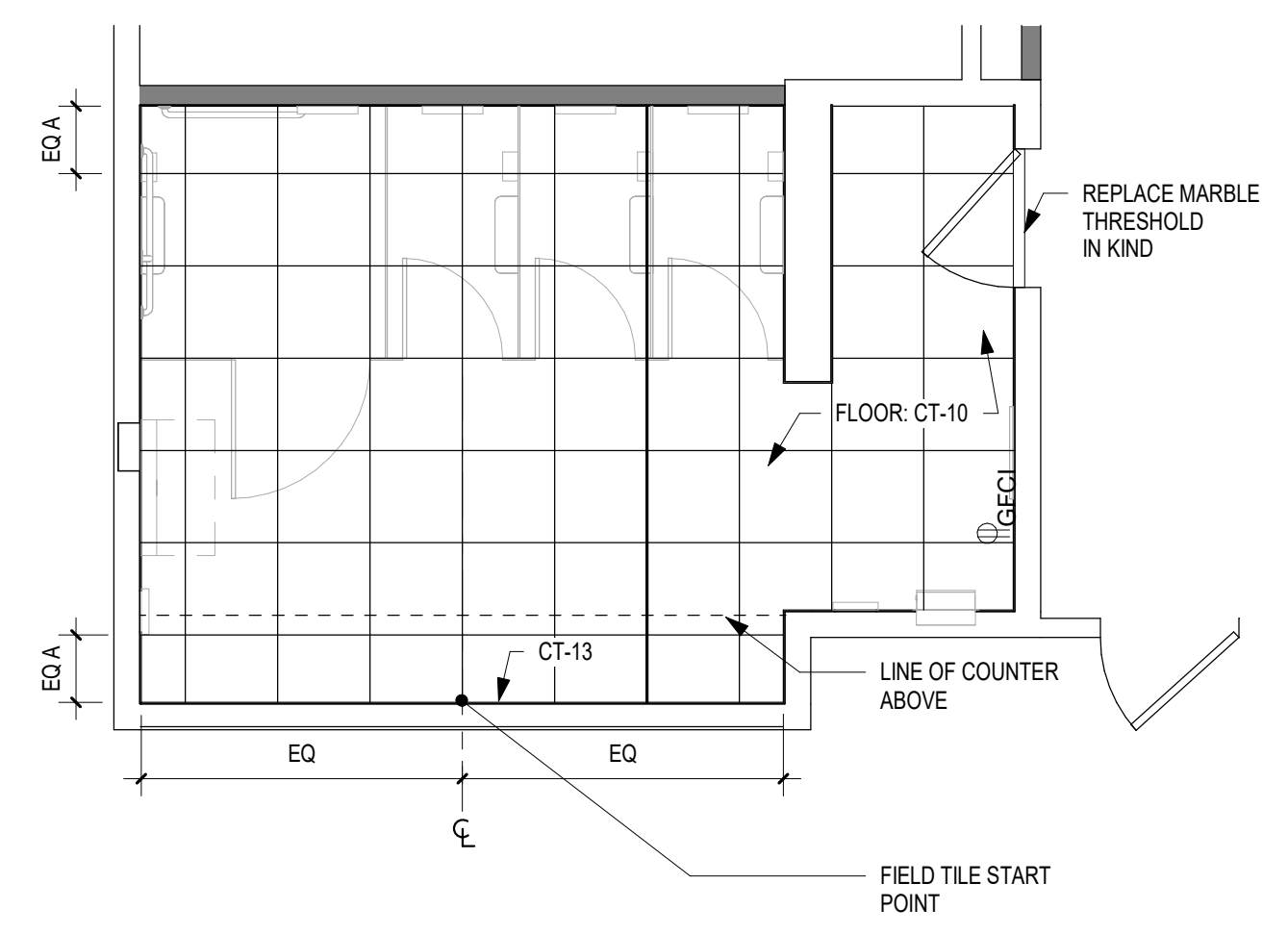
RCP & FINISH PLANS

Project number	CW1615.06
Date	03/15/2023
Drawn by	DG
Checked by	EW

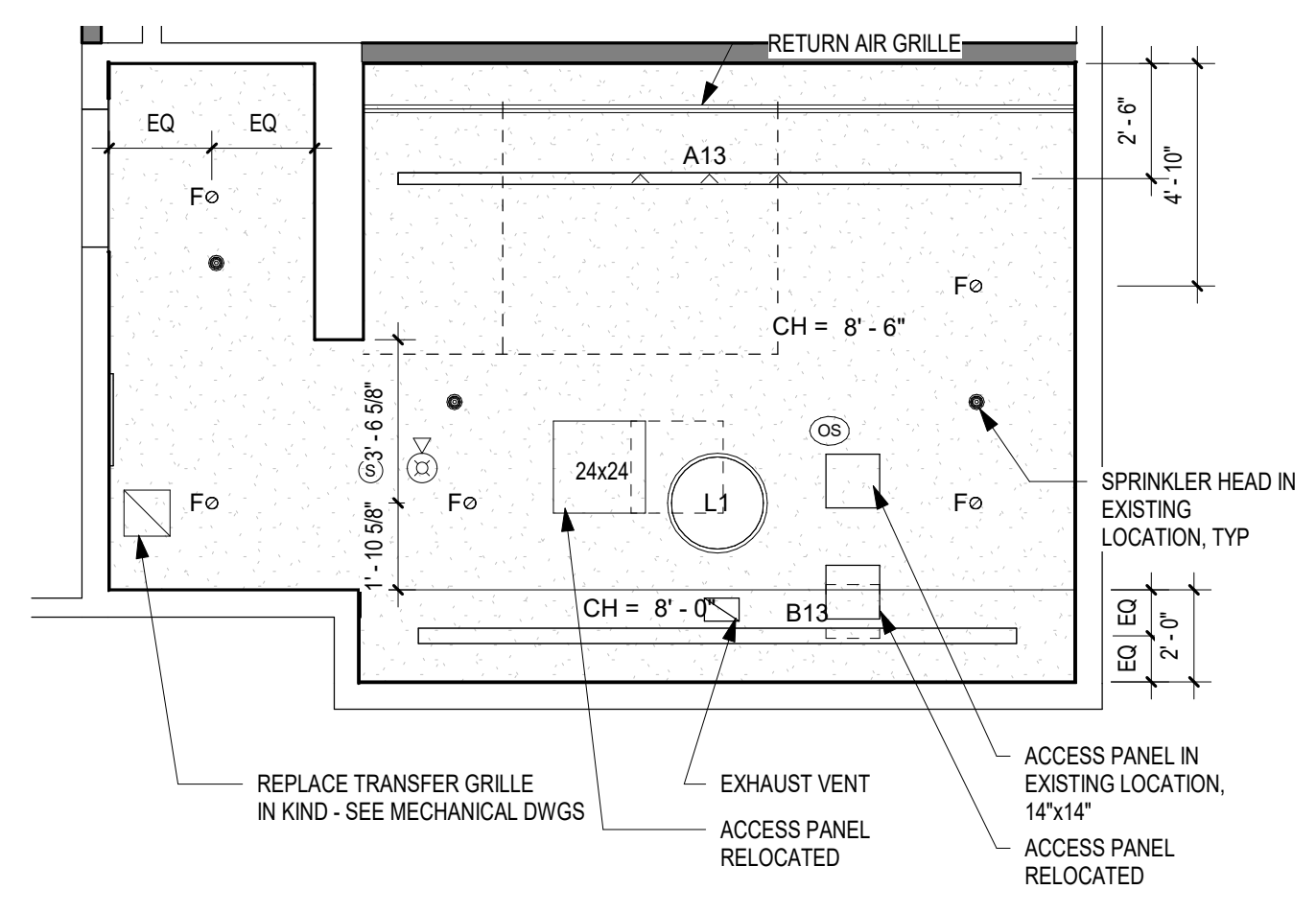
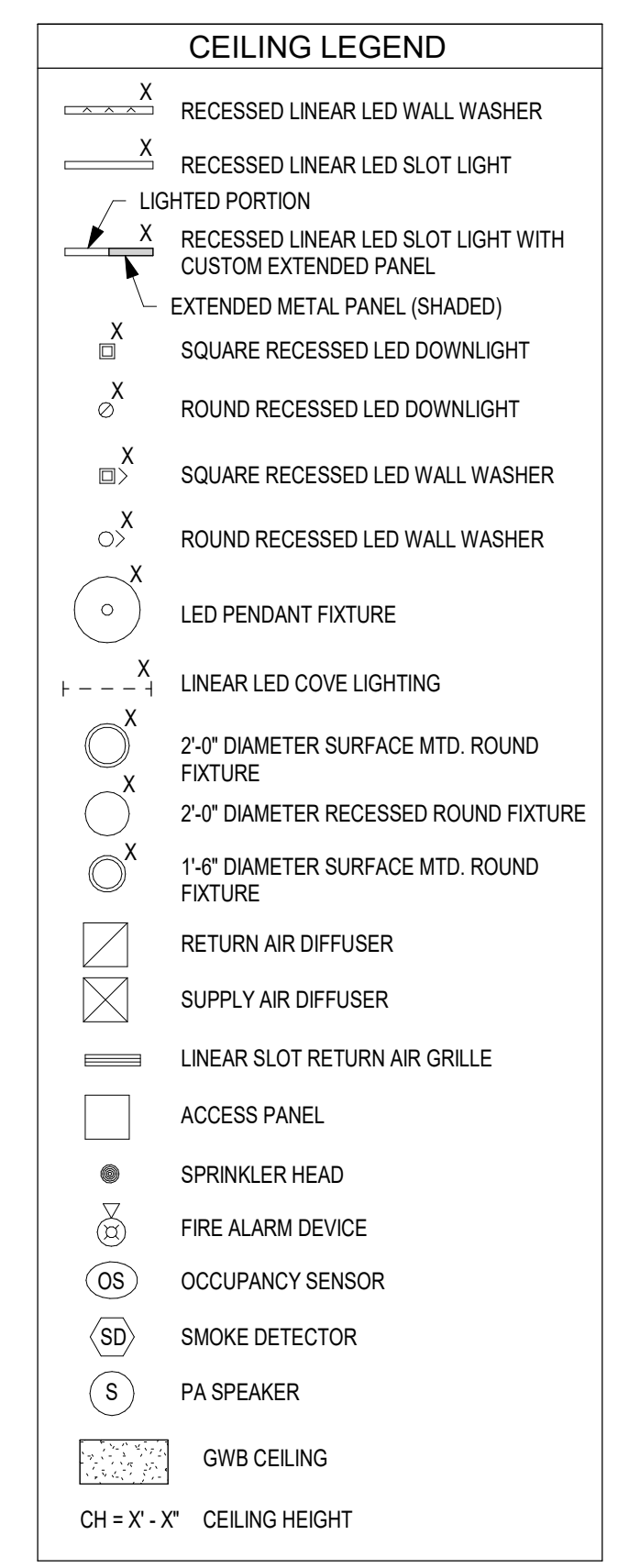
A601
Scale As indicated



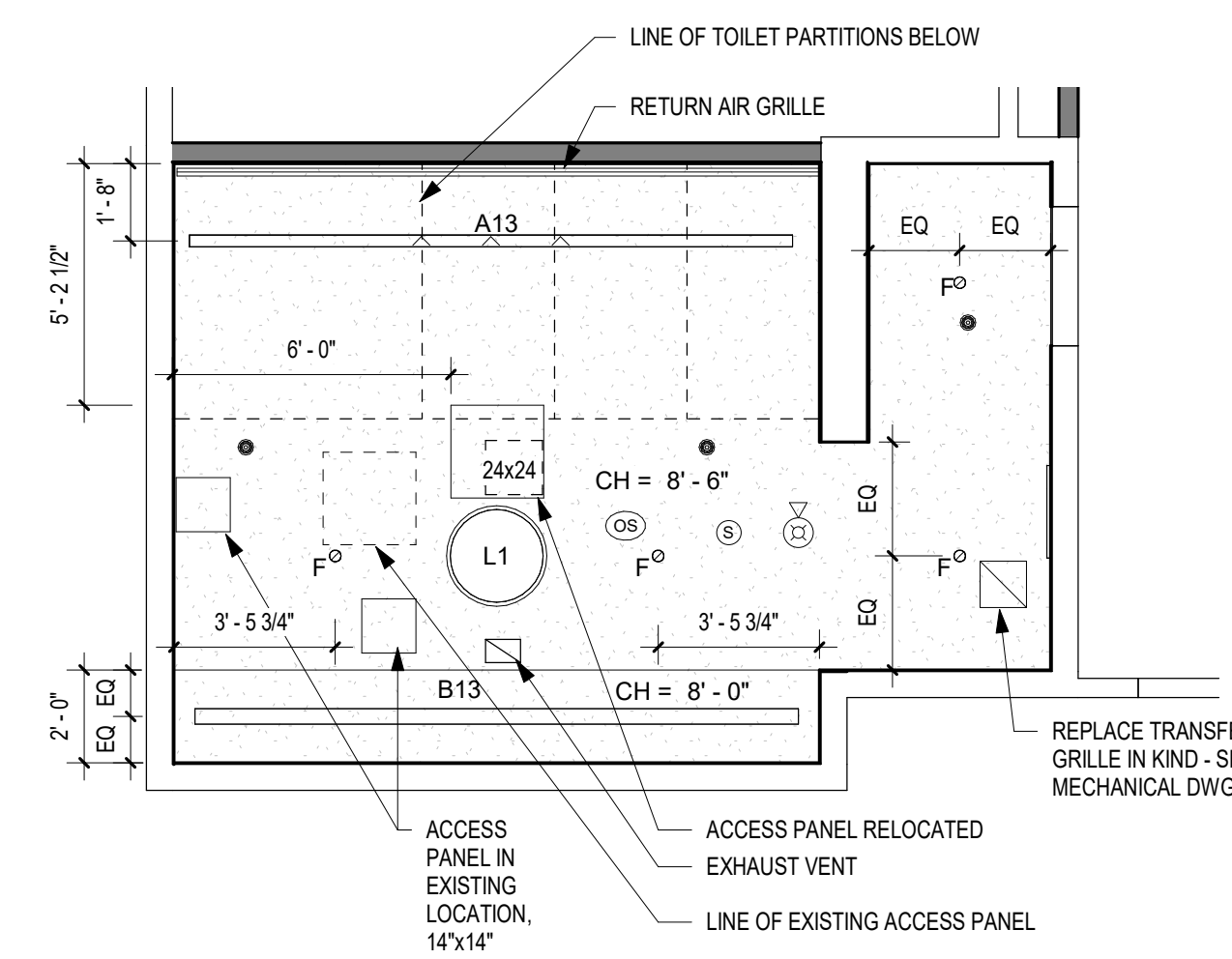
4 FINISH PLAN - MEN'S RESTROOM
A601 SCALE: 1/4" = 1'-0"



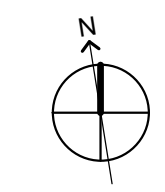
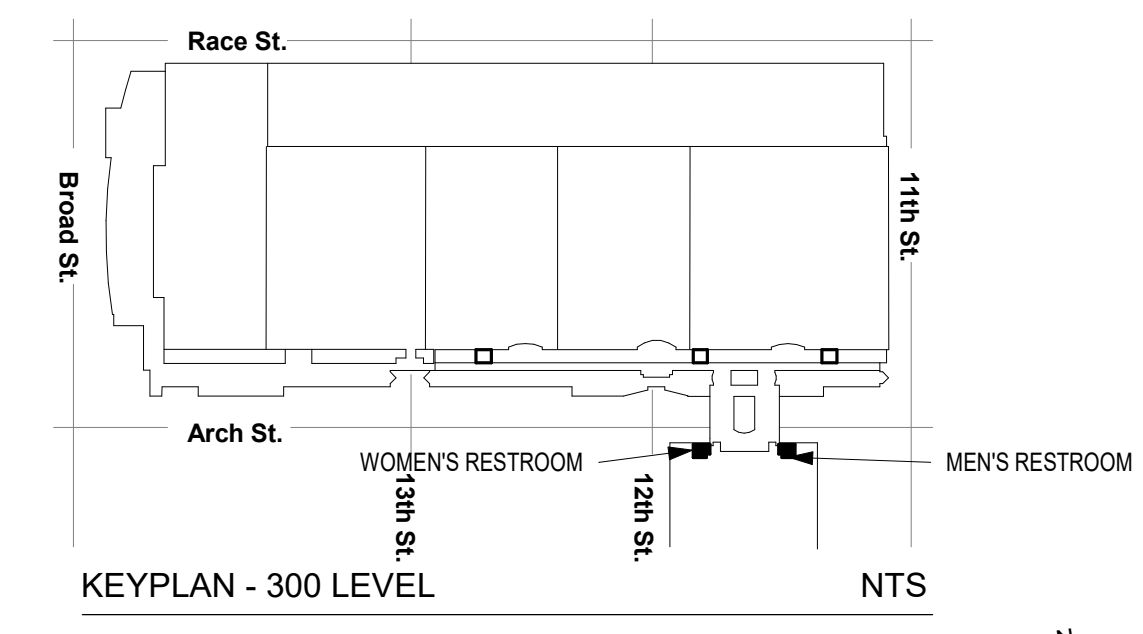
3 FINISH PLAN - WOMEN'S RESTROOM
A601 SCALE: 1/4" = 1'-0"



2 REFLECTED CEILING PLAN - MEN'S RESTROOM
A601 SCALE: 1/4" = 1'-0"



1 REFLECTED CEILING PLAN - WOMEN'S RESTROOM
A601 SCALE: 1/4" = 1'-0"



ARCHITECTS:
 CONVERSE WINKLER ARCHITECTURE
 331 Montgomery Avenue,
 Bala Cynwyd, PA, 19144

Ph: 610.664.0806
 Fax: 215.664.1075

Contact: Elin Westrick
 e-mail: ewestrick@cwarc.com

MEP ENGINEERS:



Arora Engineers, Inc.
 61 Wilmington-Weest Chester Pike
 Chadds Ford, PA 19317

P (610) 459-7900 | F (610) 459-7950 | aroraengineers.com

Contact: Kevin Sultanik
 e-mail: ksultanik@aroraengineers.com

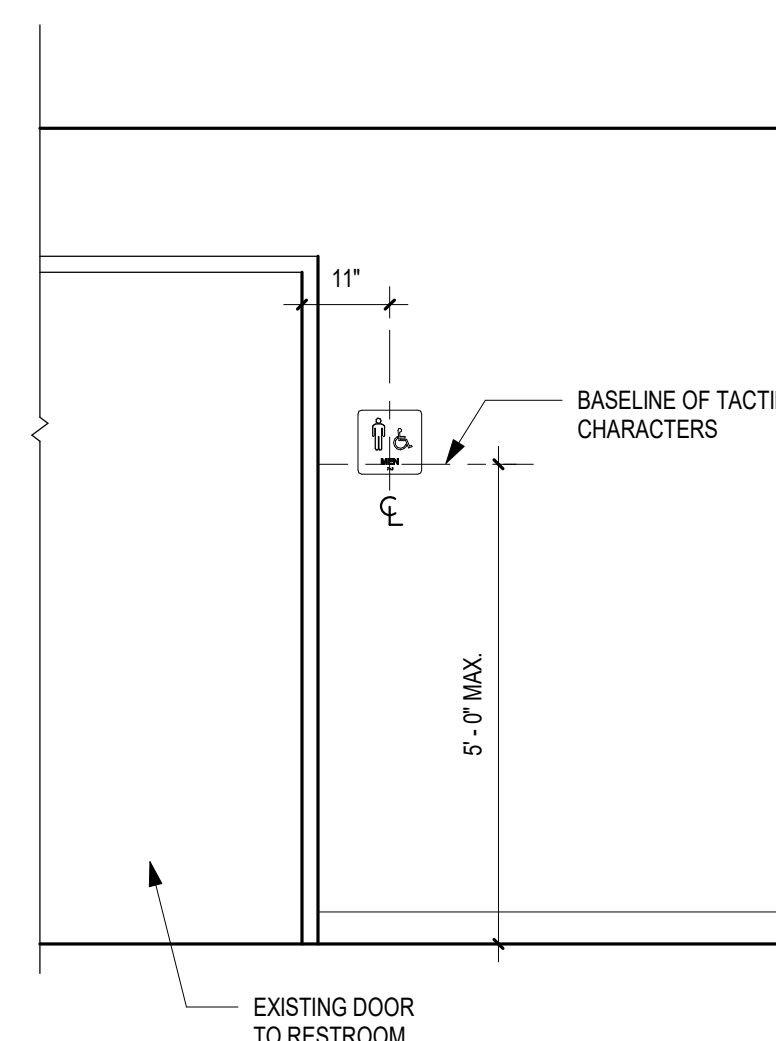
STRUCTURAL ENGINEERS:
 CSA GROUP

Ph: 215.427.8700
 Fax: 215.427.8752

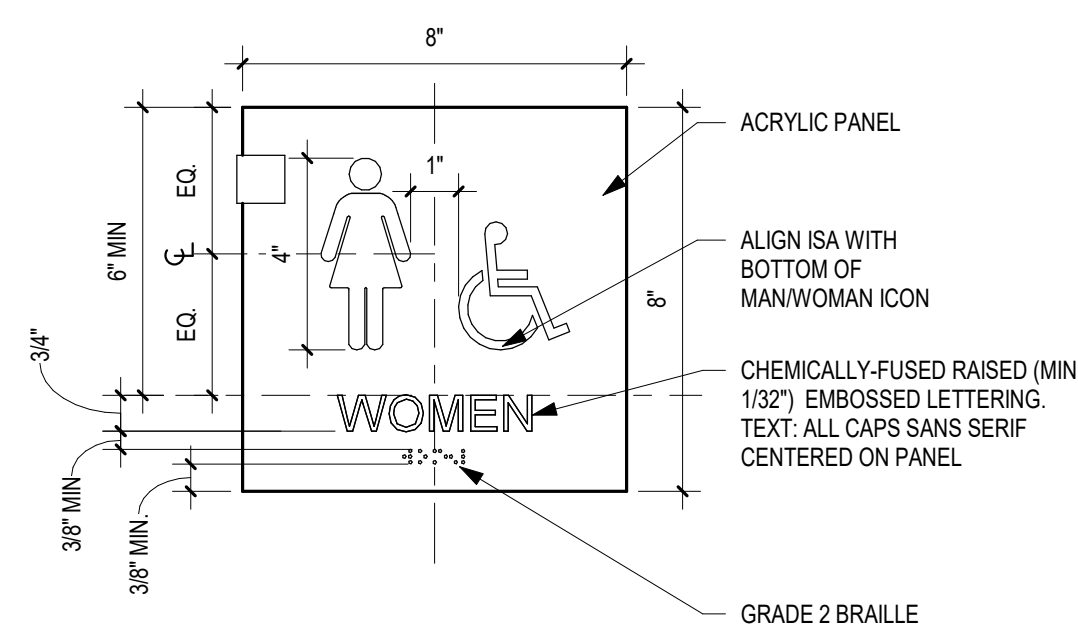
Contact: Wing Au
 e-mail: wau@csagroup.com

SIGNAGE NOTES:

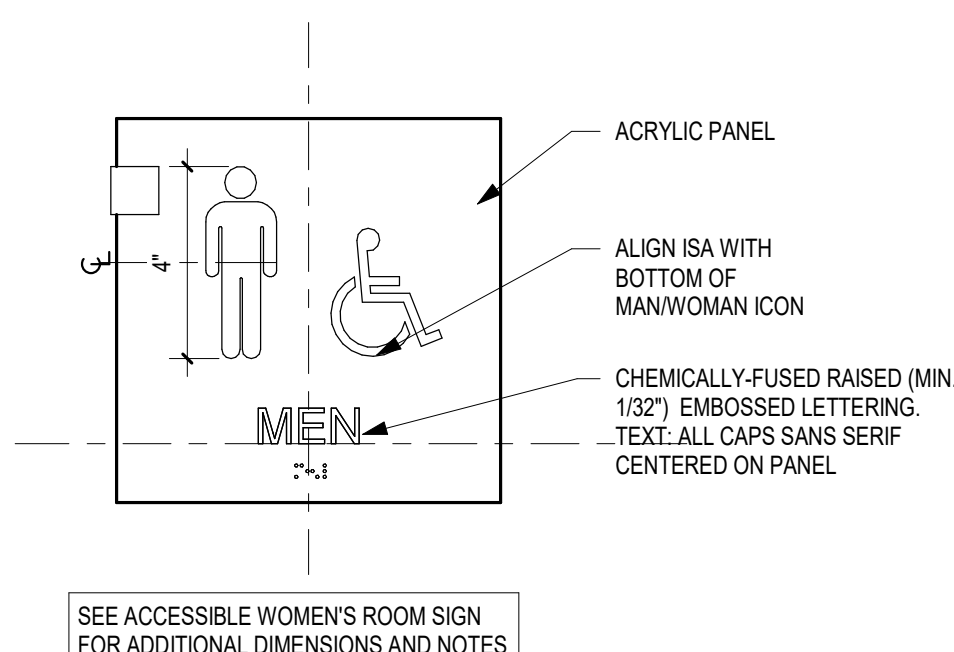
1. SEMINAR/BALLROOM RESTROOM SIGNAGE TO MATCH EXISTING SIGNAGE TYPE AND COLOR IN SAME LOCATION. GC IS TO VERIFY IN FIELD.
2. MESSAGE IS AS SHOWN IN DRAWINGS.
3. SIGNAGE SHALL BE COMPLIANT WITH ALL BUILDING CODES AND ADA REQUIREMENTS.



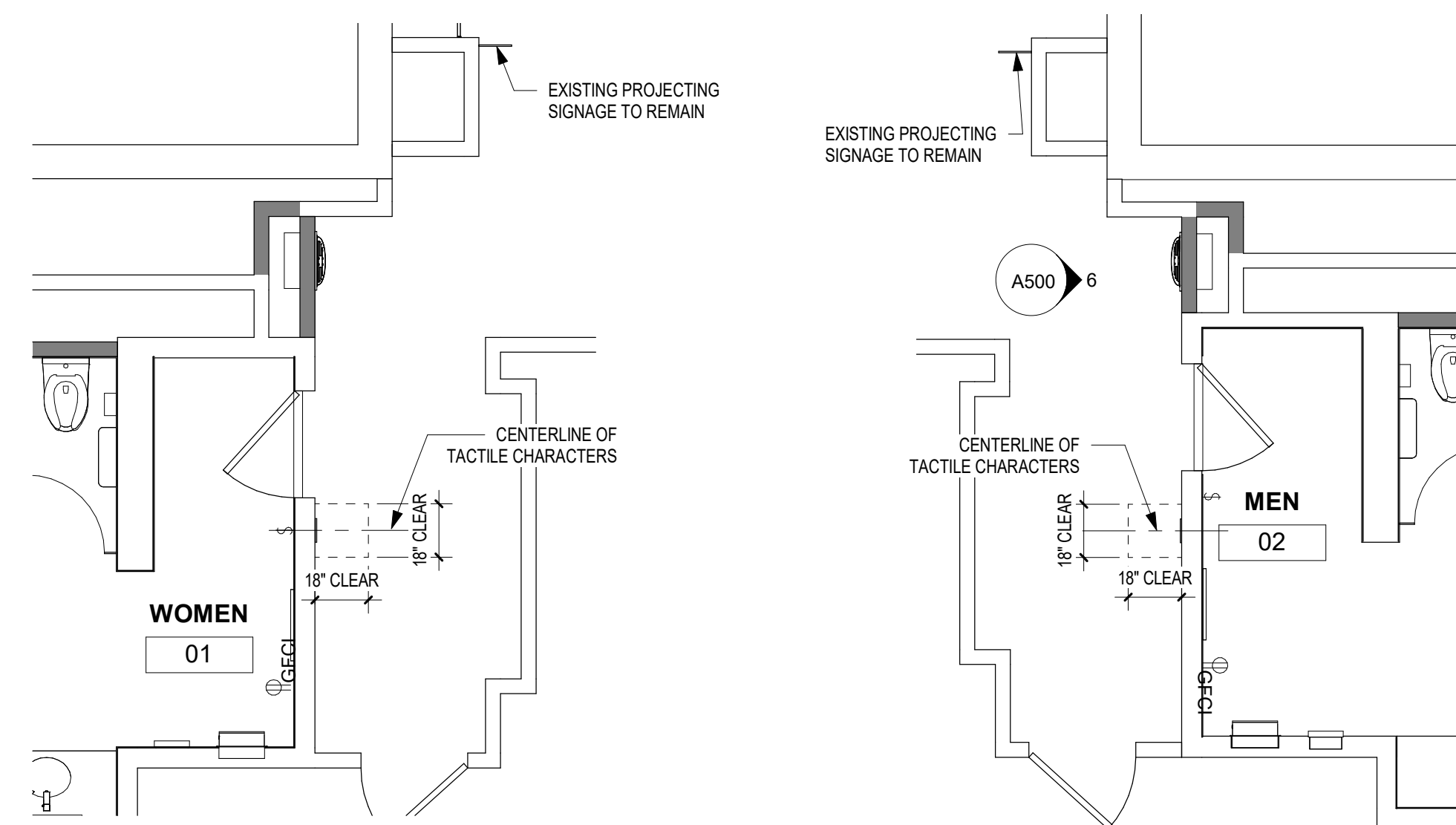
2 TYPICAL SIGN MOUNTING HEIGHT
 SCALE: 1/2" = 1'-0"



5 TYP. ACCESSIBLE RESTROOM SIGN - WOMEN'S
 SCALE: 3" = 1'-0"



4 TYP. ACCESSIBLE RESTROOM SIGN - MEN'S
 SCALE: 3" = 1'-0"



1 PLAN - RESTROOM ENTRY - SIGNAGE CLEARANCE
 SCALE: 1/4" = 1'-0"

REVISIONS:

No.	Description	Date

PENNSYLVANIA CONVENTION CENTER
PCCA RESTROOM RENOVATIONS
OVERLOOK RESTROOMS
 1101 ARCH STREET, PHILADELPHIA, PA 19107

RESTROOM SIGNAGE

Project number: CW1615.06
 Date: 03/15/2023
 Drawn by: DG
 Checked by: EW

GENERAL NOTES

1. THE CONTRACTOR SHALL COMPLY WITH ALL REGULATIONS & LAWS OF AUTHORITIES HAVING JURISDICTION.
2. THE CONTRACTOR SHALL FURNISH ALL LABOR, MATERIAL, & EQUIPMENT REQUIRED FOR THE COMPLETION & OPERATION OF ALL SYSTEMS IN THIS SECTION OF WORK IN ACCORDANCE WITH ALL APPLICABLE CODES.
3. THE CONTRACTOR SHALL BE RESPONSIBLE TO FIELD LOCATE AND IDENTIFY ALL EXISTING UTILITIES WITHIN THE CONSTRUCTION AREA, WHETHER INDICATED ON DRAWINGS OR NOT. THE CONTRACTOR SHALL BE RESPONSIBLE FOR REPAIRS TO EXISTING UTILITIES DAMAGED DURING CONSTRUCTION. NO REIMBURSEMENT WILL BE ALLOWED FOR UTILITY REPAIR AND/OR REPLACEMENT.
4. THE CONTRACTOR SHALL VERIFY ALL EXISTING CONDITIONS AND NOTIFY THE ENGINEER AT ONCE OF ANY DISCREPANCIES.
5. ALL PENETRATIONS, BOTH NEW AND EXISTING, THROUGH DESIGNATED FIRE RATED WALLS, CEILINGS AND FLOOR SLABS (WHICH ARE 2-HOUR RATED) SHALL BE PROPERLY SEALED WITH AN APPROVED RATED FIRE STOPPING MATERIAL. ALL FIRE STOPPING MATERIAL SHALL BE SUPPLIED AND WORK PERFORMED AS PER PROJECT SPECIFICATIONS. CONTRACTOR SHALL SUBMIT THE MANUFACTURER'S CATALOG DATA AND INSTALLATION DETAILS FOR FIRESTOPPING TO THE ENGINEER FOR REVIEW AND APPROVAL PRIOR TO INSTALLATION.
6. WHERE UTILITIES AND/OR SERVICES REQUIRE SHUTDOWN FOR THE WORK TO BE PERFORMED, NOTIFY THE OWNER, REQUESTS FOR UTILITY AND/OR SERVICES SHUTDOWNS SHALL BE SUBMITTED TO THE OWNER, IN WRITING, A MINIMUM OF ONE WEEK PRIOR TO THE SCHEDULED SHUTDOWN.
7. THE CONTRACTOR SHALL NOT BE ALLOWED ANY STORAGE AREA OTHER THAN THAT AVAILABLE WITHIN THE LIMITS OF THE STAGING AREA OR CONFINES OF THE WORK AREA.
8. ALL MATERIALS SHALL COMPLY WITH APPLICABLE CODES, ORDINANCES AND REGULATIONS.
9. A COPY OF THE CURRENT SET OF CONTRACT DOCUMENTS (WITH AS-BUILT INFORMATION) SHALL BE KEPT AT THE JOB SITE AT ALL TIMES BY THE CONTRACTOR
10. EACH CONTRACTOR SHALL REVIEW ALL PROJECT DOCUMENTS OF ALL TRADES FOR A THOROUGH UNDERSTANDING OF PROJECT AND ANY CROSS REFERENCING OF WORK. REVIEW ALL PROJECT REQUIREMENTS PRIOR TO BIDDING. DISCREPANCIES BETWEEN DOCUMENTS SHALL BE REPORTED TO THE ENGINEER PRIOR TO BIDDING. IN CASE OF DISCREPANCIES , THE MOST STRINGENT SHALL GOVERN.
11. THE CONTRACTOR SHALL GUARANTEE THE ENTIRE INSTALLATION FOR A PERIOD OF ONE YEAR (EXCEPT WHERE EXTENSIONS OF THIS ONE YEAR PERIOD ARE NOTED) FROM THE DATE OF ACCEPTANCE OF THE SYSTEM AS A WHOLE. ANY DEFECTS IN WORKMANSHIP, MATERIALS, MALFUNCTION OF EQUIPMENT OR UNSATISFACTORY PERFORMANCE, AND ALL OTHER WORK OR PARTS OF THE BUILDING DAMAGED THEREBY, AS A RESULT OF WORK OF THE PROJECT BY THE CONTRACTOR, SHALL BE THE RESPONSIBILITY OF THE CONTRACTOR. CONTRACTOR SHALL PAY ALL REPAIR COSTS ACCORDINGLY WITHOUT ADDITIONAL COSTS TO THE OWNER.
12. IN ADDITION TO SPECIFICATIONS, AS MAY BE DEFINED HEREAFTER, THE CONTRACTOR SHALL PROTECT THE WORK SITE AND ALL HIS OR HER WORK AGAINST ANY DAMAGE (INCLUDING BUT NOT LIMITED TO WATER, DUST, HEAT, FREEZING ETC.) UNTIL FINAL COMPLETION AND ACCEPTANCE BY THE OWNER.
13. CONTRACTOR SHALL, UPON COMPLETION OF THE WORK, SUBMIT AS-BUILT RECORD DRAWINGS SHOWING ALL CHANGES FROM THE CONTRACT DRAWING MADE IN THE INSTALLATION, AND SHOWING DIMENSION LOCATIONS OF CONCEALED EQUIPMENT.
14. PRIOR TO DELIVERY OF ANY MATERIALS TO THE SITE, THE CONTRACTOR SHALL PROVIDE MATERIAL SAFETY DATA SHEETS FOR ALL ITEMS AND MATERIALS USED IN THE WORK.
15. ALL EXISTING ABANDONED PIPING OR PIPING MADE ABANDONED BY WORK OF THIS PROJECT SHALL BE REMOVED FROM WITHIN THE PROJECT BOUNDARIES. CUT AND CAP PIPING BACK TO A POINT 6" BEYOND (OUTSIDE OF) THE PROJECT BOUNDARIES, UNLESS OTHERWISE NOTED ON THE DRAWINGS. PROVIDE CUTTING AND PATCHING OF ALL CEILINGS, FLOORS AND WALLS AS REQUIRED.
16. BOUNDARY LINES SHOWN ON THE DRAWINGS DO NOT LIMIT THE SCOPE OF WORK FOR THE PROJECT. CONTRACTOR SHALL BE RESPONSIBLE FOR ALL WORK NOTED ON THE DRAWINGS.
17. PRIOR TO ACCEPTANCE OF THE SPACE, ALL SYSTEMS SHALL BE TESTED, BALANCED, AND OPERATED TO DEMONSTRATE TO THE OWNER, OR HIS DESIGNATED REPRESENTATIVE, THAT THE INSTALLATION AND PERFORMANCE OF THESE SYSTEMS AND/OR PARTS THEREOF CONFORM TO THE DESIGN INTENT.
18. ANY EQUIPMENT REQUIRING CEILING ACCESS SHALL ONLY BE PERMITTED/LOCATED IN ACCESSIBLE TYPE CEILING AREAS (I.E. LAY-IN TYPE CEILING) OR WHERE ACCESS PANELS HAVE BEEN LOCATED. REFER TO ARCHITECTURAL DRAWINGS.
19. THE CONTRACTOR SHALL SECURE & PAY FOR ALL PERMITS, INSPECTION CERTIFICATES, ETC. REQUIRED UNDER THE PROJECT SCOPE.
20. THE CONTRACTOR SHALL FIELD VERIFY EXISTING CONDITIONS & DIMENSIONS PRIOR TO CONSTRUCTION, AND NOTIFY ENGINEER OF RECORD OF ANY DISCREPANCIES BETWEEN THE PLANS & EXISTING CONDITIONS AND/OR POTENTIAL PROBLEMS OBSERVED PRIOR TO CONTINUING WORK.
21. DO NOT SCALE THE PLANS. SEE ARCHITECTURAL PLANS FOR EXACT LOCATION OF DOORS, WINDOWS, FIXTURES, WALL DIMENSIONS, ETC.
22. ALL EQUIPMENT SHALL BE HANDLED, STORED, & PROTECTED TO PREVENT DAMAGE BEFORE & DURING INSTALLATION IN ACCORDANCE WITH MANUFACTURER'S INSTRUCTIONS.
23. ALL EQUIPMENT, ETC., SHALL BE SO LOCATED & INSTALLED IN A READILY ACCESSIBLE LOCATION SO AS TO PERMIT ACCESS FOR SERVICE WITHOUT DAMAGE TO BUILDING OR FINISHED MATERIALS. PER MANUFACTURER'S INSTRUCTIONS & APPLICABLE CODES.
24. THE CONTRACTOR SHALL PROVIDE & INSTALL ACCESS DOORS FOR ACCESS TO EACH CONCEALED VALVE, PIECE OF EQUIPMENT, ETC.
25. ALL MATERIALS SHALL BE NEW & SHALL FIT THE SPACE AVAILABLE. VERIFY DIMENSIONS AT SITE.
26. ALL PIPING, APPARATUS, EQUIPMENT, ETC. SHALL BE PROPERLY SUPPORTED, BRACED VERTICALLY & HORIZONTALLY IN ACCORDANCE WITH APPLICABLE CODES & AS REQUIRED TO PREVENT EXCESSIVE MOVEMENT.
27. THE CONTRACTOR SHALL VERIFY & CORRECT SYSTEMS AS REQUIRED, TO MEET ALL CODES & REGULATIONS. VERIFY AND CORRECT ANY/ALL POSSIBLE DISCREPANCIES BETWEEN TYPE & SIZE OF CONNECTIONS SPECIFIED IN THE EQUIPMENT SCHEDULES & EQUIPMENT ACTUALLY INSTALLED.
28. THE CONTRACTOR IS RESPONSIBLE FOR COORDINATING INSTALLATION OF ALL EQUIPMENT SHOWN ON PLANS, INCLUDING COORDINATION OF ANY EQUIPMENT OF ALTERNATE MANUFACTURER. CONTRACTOR SHALL PROVIDE COMPOSITE DRAWINGS AS REQUIRED FOR INSTALLATION OF EQUIPMENT SHOWN ON PLAN FOR APPROVAL BY ENGINEER.
29. THE CONTRACTOR SHALL CORE DRILL (SAW CUT FOR DUCTWORK), OPENINGS THROUGH WALLS AND FLOORS FOR NEW DUCTWORK AND PIPING PENETRATIONS AS REQUIRED. CORE DRILLED OPENINGS SHALL BE SLEEVED AND SEALED WITH FIREPROOF MATERIAL. CONTRACTOR SHALL CORE DRILL 1/4" Ø PILOT HOLE PRIOR TO CORE DRILLING. CONTRACTOR SHALL TAKE PRECAUTIONS AS TO PROTECT AREA BENEATH CORE DRILL AREA. REPLACE ANY/ALL CEILING TILES THAT ARE REMOVED/DAMAGED DUE TO THIS WORK. CONTRACTOR SHALL CLEAN AREA AFTER INSTALLATION.

GENERAL MECHANICAL NOTES

1. THE CONTRACTOR SHALL FURNISH & INSTALL A COMPLETE HVAC SUPPLY AND EXHAUST SYSTEM TO ALL NEW DIFFUSER LOCATIONS AS NOTED ON THE DRAWINGS. VERIFY ALL ROUGH-IN LOCATIONS. COORDINATE HVAC LOCATIONS WITH WORK UNDER OTHER DIVISIONS OF THE SPECIFICATIONS TO AVOID CONFLICTS.
2. THE CONTRACTOR SHALL INSTALL DUCTWORK SYSTEMS PER LATEST SMACNA MANUALS. DUCT WORK SYSTEMS SHALL BE GALVANIZED G90 SHEET STEEL RATED FOR A PRESSURE CLASS OF 2" WG.

GENERAL PLUMBING NOTES

1. PROJECT IS LOCATED IN THE CITY OF PHILADELPHIA AND SHALL COMPLY WITH THE 2018 PHILADELPHIA PLUMBING CODE, AS ADOPTED OCTOBER 2019 AND PHILADELPHIA WATER DEPARTMENT REGULATIONS, WHERE A CONFLICT OCCURS BETWEEN THE REQUIREMENTS OF THE PERTINENT CODES AND STANDARDS, THE MOST STRINGENT SHALL GOVERN.
2. THE CONTRACTOR SHALL FIELD VERIFY EXISTING CONDITIONS & DIMENSIONS PRIOR TO CONSTRUCTION, AND NOTIFY ENGINEER OF RECORD OF ANY DISCREPANCIES BETWEEN THE PLANS & EXISTING CONDITIONS AND/OR POTENTIAL PROBLEMS OBSERVED PRIOR TO CONTINUING WORK.
3. THE CONTRACTOR SHALL FURNISH & INSTALL A COMPLETE PLUMBING SYSTEM FOR ALL FIXTURES AND/OR EQUIPMENT REQUIRING SUCH. VERIFY ALL ROUGH-IN LOCATIONS & COORDINATE PIPING LOCATIONS WITH WORK UNDER OTHER DIVISIONS OF THE SPECIFICATIONS TO AVOID CONFLICTS.
4. VALVES & FITTINGS SHALL BE OF THE SAME SIZE AS THE PIPING FOR WHICH THEY ARE INSTALLED, UNLESS OTHERWISE NOTED.
5. STERILIZE DOMESTIC WATER PIPING IN ACCORDANCE WITH HEALTH DEPARTMENT REGULATIONS.
6. COPPER PIPING SHALL BE PROTECTED AGAINST CONTACT WITH DISSIMILAR METALS. ALL HANGARS, SUPPORTS, ANCHORS, & CLIPS SHALL BE COPPER OR COPPER PLATED. WHERE COPPER PIPING IS CARRIED ON IRON TRAPEZE HANGERS WITH OTHER PIPING, SATISFACTORY & PERMANENT ELECTROLYTIC ISOLATION MATERIAL SHALL PREVENT CONTACT WITH OTHER METALS.
7. COPPER PIPING SHALL BE PROTECTED AGAINST CONTACT WITH ALL MASONRY. WHERE COPPER IS SLEEVED THROUGH MASONRY, COPPER OR RED BRASS SLEEVES SHALL BE USED, WHERE COPPER MUST BE CONCEALED IN OR AGAINST MASONRY PARTITIONS CONTACT SHALL BE PREVENTED BY COATING THE COPPER HEAVILY WITH ASPHALTIC ENAMEL & 15# ASPHALT SATURATED FELT BETWEEN PIPE & MASONRY PARTITION.
8. WATER PIPING SHALL NOT BE RUN IN AREAS SUBJECT TO FREEZING TEMPERATURES UNLESS OTHERWISE NOTED. WATER PIPING IN EXTERIOR WALLS SHALL BE RUN ON THE SIDE OF THE WALL INSULATION THAT BORDERS THE CONDITIONED SPACE.
9. PROVIDE VACUUM BREAKERS, WATER HAMMER ARRESTERS AND ALL OTHER ACCESSORIES AS REQUIRED BY CODE.
10. ALL PIPING SHALL BE CONCEALED ABOVE CEILINGS, WITHIN WALLS, OR IN CHASES, EXCEPT FINAL CONNECTIONS TO FIXTURES, OR IN MECHANICAL ROOMS, UNLESS SPECIFICALLY NOTED OTHERWISE.
11. THE CONTRACTOR SHALL VERIFY EXACT INVERT ELEVATIONS OF EXISTING PIPING TO WHICH NEW PIPING IS TO BE CONNECTED BEFORE INSTALLATION OF NEW PIPING.
12. PROVIDE SLEEVES & FIRE STOP SEALANTS AT ALL PENETRATIONS OF PIPE THROUGH FIRE RATED FLOORS & WALLS AS REQUIRED. COMPLY WITH ASTM E-814 & UL 1479.
13. CONTRACTOR IS RESPONSIBLE FOR RECONNECTING SANITARY, CW & HW SUPPLY LINES TO ANY FIXTURE OR LINE OUTSIDE OF TOILET ROOM THAT IS AFFECTED BY DEMOLITION OF SANITARY, CW & HW SUPPLY LINES WITHIN OR PASSING THROUGH AREA OF TOILET ROOM.

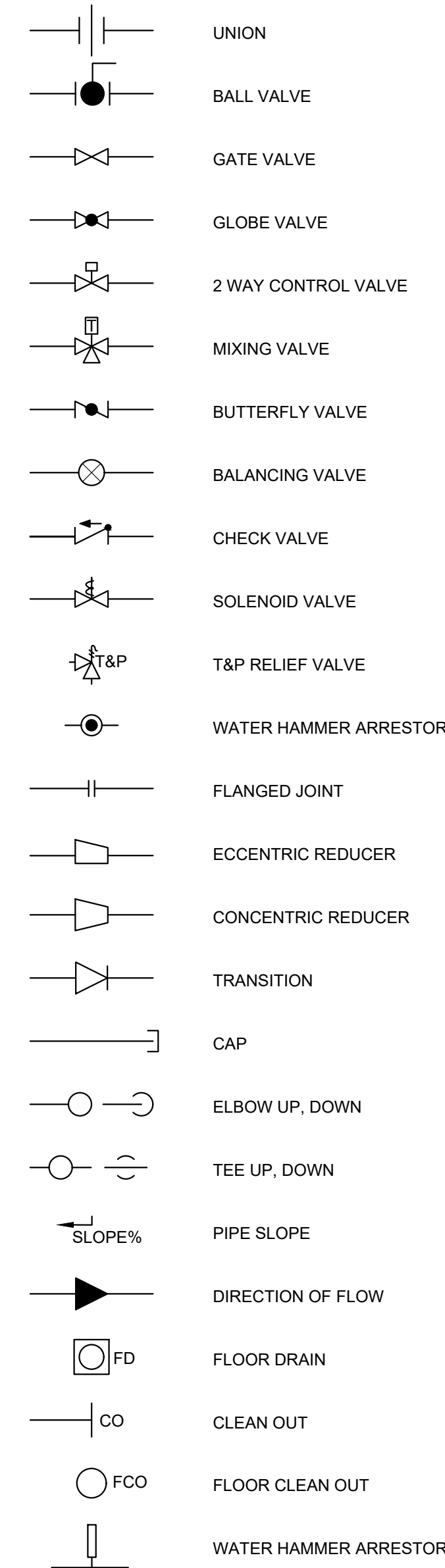
GENERAL FIRE PROTECTION NOTES

1. THIS PROJECT INVOLVES THE DEMOLITION OF EXISTING FIRE PROTECTION SPRINKLER HEADS AND PIPING WITHIN THE SCOPE OF WORK. CONTRACTOR SHALL PROVIDE FURNISHING, PERMITTING, INSTALLING AND TESTING OF NEW FIRE PROTECTION PIPING AND VALVES COMPLYING WITH NFPA 13.
2. THE PROJECT SHALL BE BASED ON A MIXED USE GROUP OCCUPANCY IN ACCORDANCE WITH THE FOLLOWING CODES, STANDARDS, TESTING LABORATORIES AND UNDERWRITING AGENCY:
 - A. 2018 ICC, PER PA UNIFORM CONSTRUCTION CODE.
 - B. NFPA 13 STANDARD FOR THE INSTALLATION OF SPRINKLER SYSTEMS LATEST ADOPTED EDITION.
 - C. NFPA 70, NATIONAL ELECTRIC CODE, LATEST EDITION
 - D. ADA ACCESSIBILITY GUIDELINES FOR BUILDINGS AND FACILITIES, LATEST EDITION
 - E. UL LISTED PRODUCTS
 - F. FM GLOBAL APPROVED PRODUCTS
 - G. MANUFACTURERS INSTALLATION INSTRUCTIONS
 - H. PROJECT SPECIFICATIONS
3. THE CONTRACTOR'S SCOPE OF WORK SHALL INCLUDE BUT NOT BE LIMITED TO THE PREPARATION AND SIMULTANEOUS SUBMISSION OF SEALED SHOP DRAWINGS ACCOMPANIED BY COMPLETE PRODUCT DATA. PARTIAL SUBMISSIONS WILL BE REJECTED.
4. THE CONTRACTOR SHALL SHOW ALL FINAL LOCATIONS ON THE SHOP DRAWINGS THAT ARE COORDINATED WITH THE OTHER TRADES, PRIOR TO SUBMISSION TO THE ARCHITECT FOR APPROVAL.
5. PIPE SHALL BE STANDARD-WEIGHT SCHEDULE 40, ASTM A120/53 STEEL PIPE FOR WET-PIPE FIRE PROTECTION SYSTEMS. PIPING SHALL BE IN COMPLIANCE WITH NFPA 13.
6. SCHEDULE 10 PIPING IS NOT PERMITTED.
7. 2" PIPING AND SMALLER SHALL BE THREADED FITTINGS ONLY.
8. 2-1/2" PIPING AND LARGER SHALL BE THREADED OR MECHANICAL FITTINGS.
9. PIPING COMPONENTS AND FITTINGS SHALL BE RATED FOR A MINIMUM 175 PSIG.
10. PIPING SHALL BE INSTALLED TIGHT TO SLABS, BEAMS, JOISTS, COLUMNS, WALLS, AND OTHER BUILDING ELEMENTS. INSTALL SLEEVES FOR PIPES PASSING THROUGH CONCRETE AND MASONRY WALLS, GYPSUM BOARD PARTITIONS, AND CONCRETE FLOOR AND ROOF SLABS.
11. HANGARS AND SUPPORTS SHALL COMPLY WITH NFPA 13.
12. THE CONTRACTOR SHALL COMPLY WITH ALL REGULATIONS & LAWS OF AUTHORITIES HAVING JURISDICTION. HYDROSTATIC TESTS FOR ALL NEWLY INSTALLED PIPING AT NOT LESS THAN 200 PSI PRESSURE FOR TWO HOURS. ALL TESTING SHALL CONFORM TO NFPA 13.

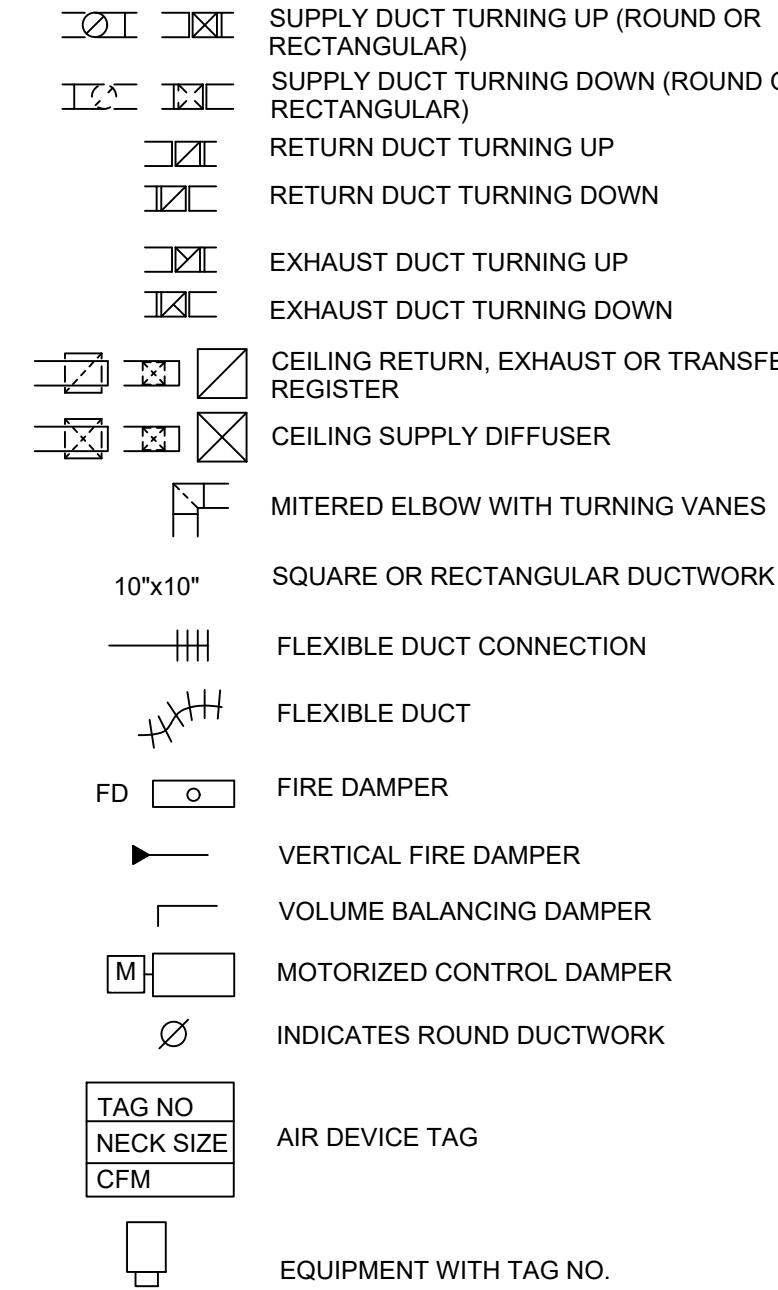
GENERAL FIRE PROTECTION NOTES(CONT)

13. FIRE PROTECTION PIPING SHALL HAVE LABELS, TAGS OR PIPE MARKERS ON EQUIPMENT AND PIPING IN ACCORDANCE WITH NFPA 13 AND PACKAGE SPECIFICATIONS.
14. THE CONTRACTOR IS RESPONSIBLE FOR COORDINATION WITH ALL NEW AND EXISTING WORK, INCLUDING LIGHTS, GRIDS, HVAC EQUIPMENT ETC. NOTIFY ARCHITECT OF CEILING ELEMENT CONFLICTS PRIOR TO CONTINUING WORK. ROUTING OF ALL PIPING SHALL BE COORDINATED WITH THE STRUCTURE, ARCHITECTURAL FINISHES, AND EQUIPMENT OF OTHER TRADES.
15. THE CONTRACTOR SHALL PLUG ALL PIPE OUTLETS CAUSED BY THE RELOCATION/REMOVAL OF SPRINKLER PIPING.
16. THE CONTRACTOR SHALL BE RESPONSIBLE FOR ANY AND ALL CEILING REPLACEMENT OR RECONSTRUCTION ASSOCIATED WITH THE FIRE PROTECTION SYSTEM SCOPE OF WORK.
17. THE CONTRACTOR SHALL PROVIDE DETAILED AS-BUILT DRAWINGS UPON COMPLETION OF WORK.
18. THE CONTRACTOR SHALL DRAIN THE SYSTEM PRIOR TO DEMOLITION WORK AND RECHARGE THE SYSTEM UPON LEAVING FOR THE SCHEDULED WORK DAY.

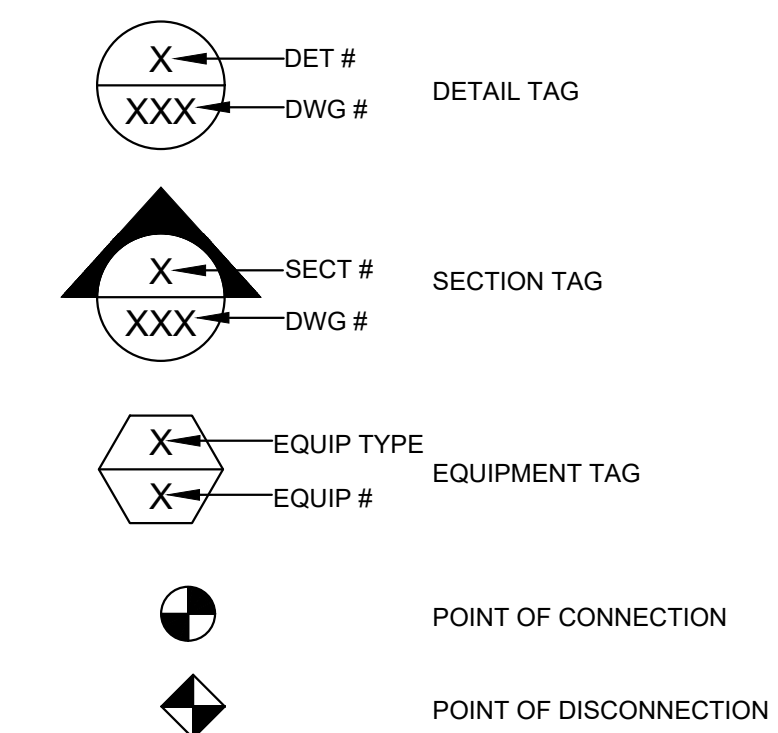
PLUMBING SYMBOLS



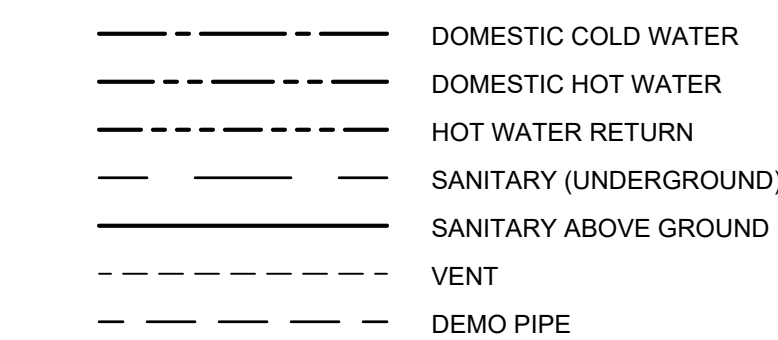
DUCTWORK SYMBOLS



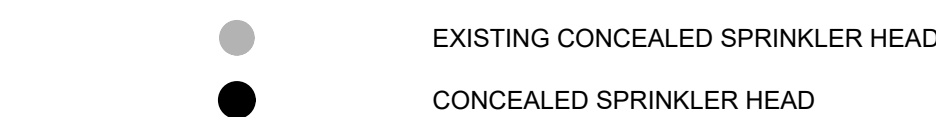
GENERAL SYMBOLS



PIPING LEGEND



FIRE PROTECTION SYMBOLS



ABBREVIATIONS

ABV	ABOVE
AD	ACCESS DOOR
ADA	AMERICAN WITH DISABILITIES ACT
AFF	ABOVE FINISH FLOOR
AHJ	AUTHORITIES HAVING JURISDICTION
AP	ACCESS PANEL
ASPE	AMERICAN SOCIETY OF PLUMBING ENGINEERS
AWS	AMERICAN WELDING SOCIETY
BEL	BELOW
BFF	BELOW FINISHED FLOOR
CFM	CUBIC FEET PER MINUTE
CO	CLEANOUT
CW	DOMESTIC COLD WATER
CWFW	COLD WATER FIXTURE UNITS
DF	DRINKING FOUNTAIN
DFU	DRAINAGE FIXTURE UNITS
DIA	DIAMETER
DIM	DIMENSION
DN	DOWN
EWC	ELECTRIC WATER COOLER
EWH	ELECTRIC WATER HEATER
(E)	EXISTING TO REMAIN
EF	EXHAUST FAN
EG	EXHAUST GRILL
(ER)	EXISTING TO BE RELOCATED
FU	FIXTURE UNITS
HW	DOMESTIC HOT WATER
HWFU	HOT WATER FIXTURE UNITS
HWR	HOT WATER RETURN
IBC	INTERNATIONAL BUILDING CODE
ICC	INTERNATIONAL CODE COUNCIL
IMC	INTERNATIONAL MECHANICAL CODE
IN	INCHES
IPC	INTERNATIONAL PLUMBING CODE
LAV	LAVATORY
MR	MOP RECEPTOR
(N)	NEW
NTS	NOT TO SCALE
(R)	REMOVE
(RE)	EXISTING TO BE DISCONNECTED AND REMOVED
S	STACK
SA	SHOCK ABSORBER
SAN	SANITARY
SFU	SUPPLY FIXTURE UNITS
TSFU	TOTAL SUPPLY FIXTURE UNITS
STD	STANDARD
TMV	THERMOSTATIC MIXING VALVE
TP	AUTOMATIC TRAP PRIMER
TYP.	TYPICAL
UON	UNLESS OTHERWISE NOTED
UR	URINAL
V	VENT
VB	VACUUM BREAKER
VS	VENT STACK
VTR	VENT THROUGH ROOF
VØ/HZ	VOLT/PHASE/HZ
W	WASTE
W.O	WITHOUT
W/	WITH
WC	WATER CLOSET
WCO	WALL CLEANOUT
WS	WASTE STACK



ARCHITECTS:
 CONVERSE WINKLER ARCHITECTURE
 331 Montgomery Avenue,
 Bala Cynwyd, PA, 19144
 Ph: 610.664.0806
 Fax: 215.664.1075
 Contact: Elin Westrick
 e-mail: ewestrick@cwarc.com



MEP ENGINEERS:
 ARORA Engineers
 61 Washington West Chester Pike
 Chadds Ford, PA 19317
 P (610) 459-7900 F (610) 459-7950 aroraengineers.com
 Contact: Kevin Sultanik
 e-mail: ksultanik@aroraengineers.com

STRUCTURAL ENGINEERS:
 CSA GROUP
 1341 NORTH DELAWARE AVENUE,
 SUITE 507
 PHILADELPHIA, PA 19125
 Ph: 215.427.8700
 Fax: 215.427.8752

Contact: Wing Au
 e-mail: wau@csagroup.com

REVISIONS:

No.	Description	Date

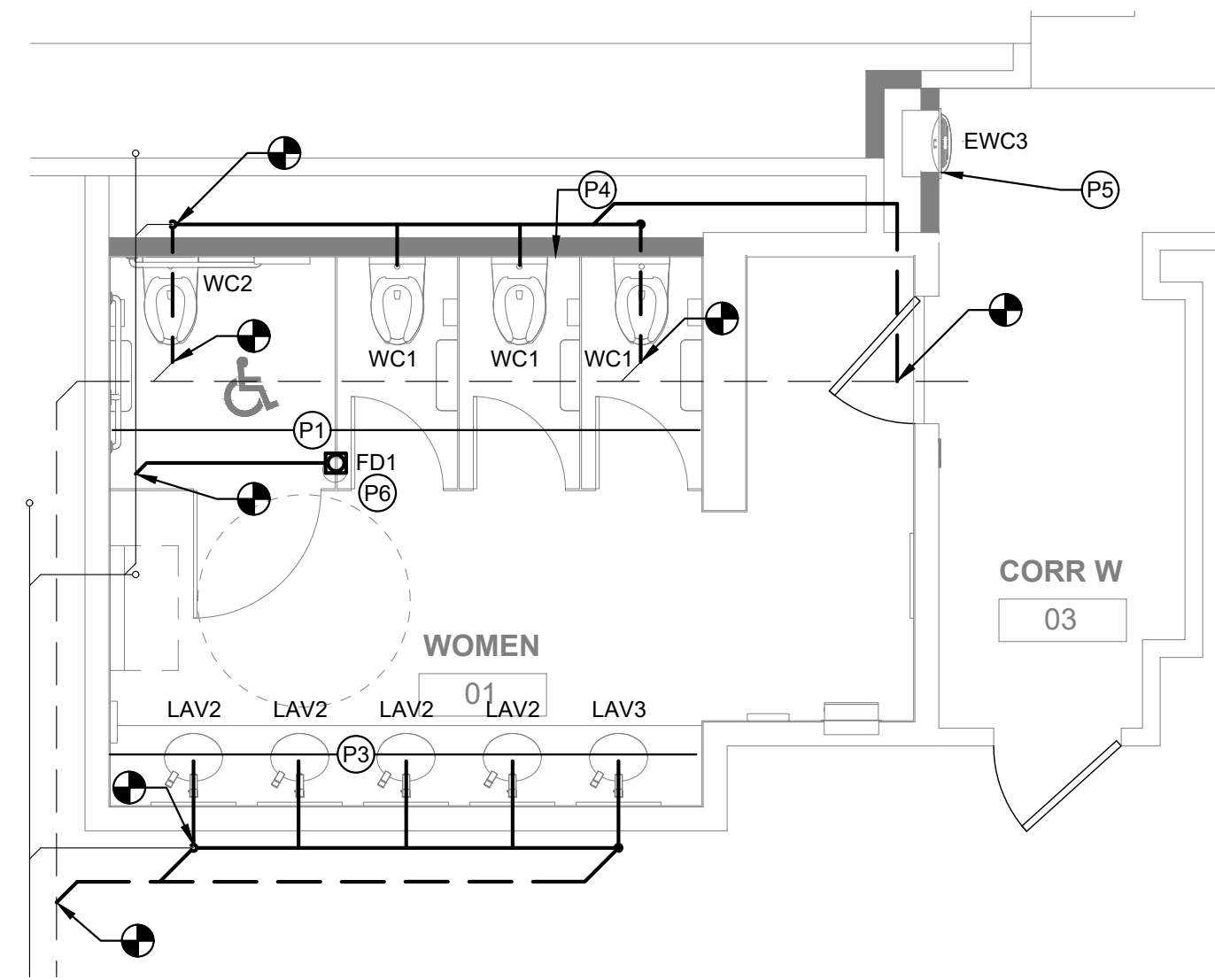
PENNSYLVANIA CONVENTION CENTER
 PCCA RESTROOM RENOVATIONS
 OVERLOOK RESTROOMS
 1101 ARCH STREET, PHILADELPHIA, PA 19107

GENERAL NOTES ABBREVIATIONS & LEGEND

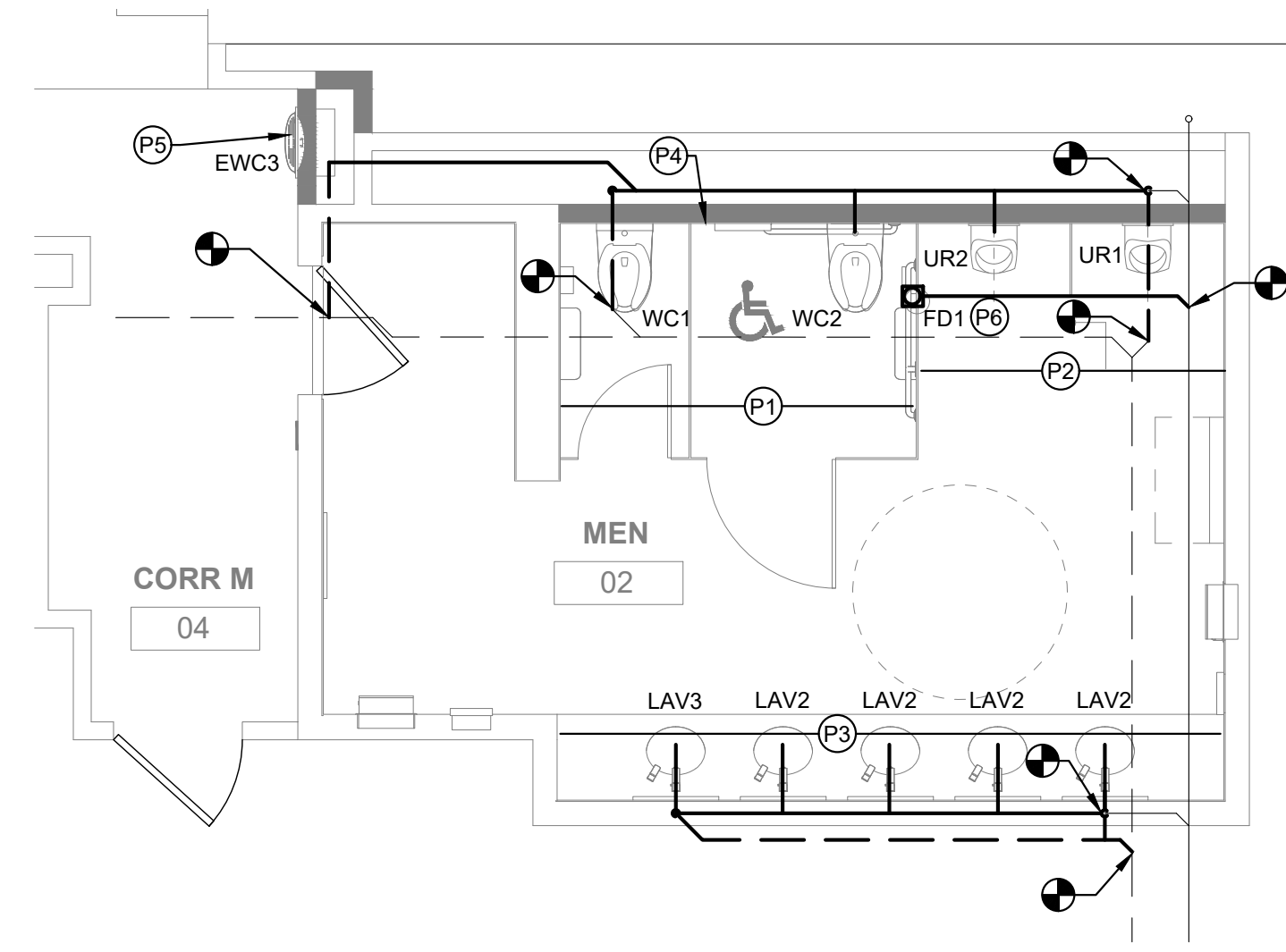
Project number	CW1615.06
Date	03/15/2023
Drawn by	DC
Checked by	DG

M001

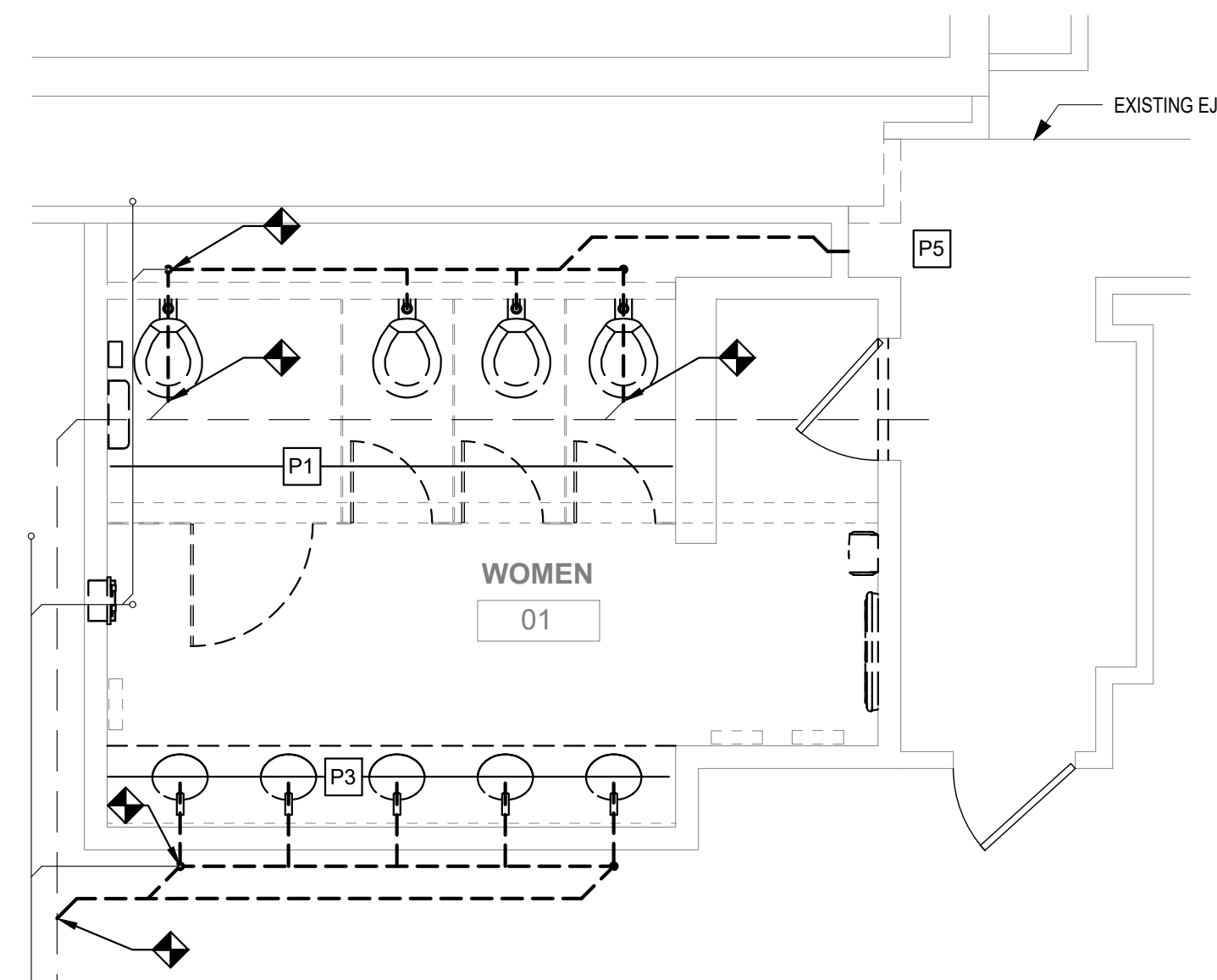
Scale NOT TO SCALE



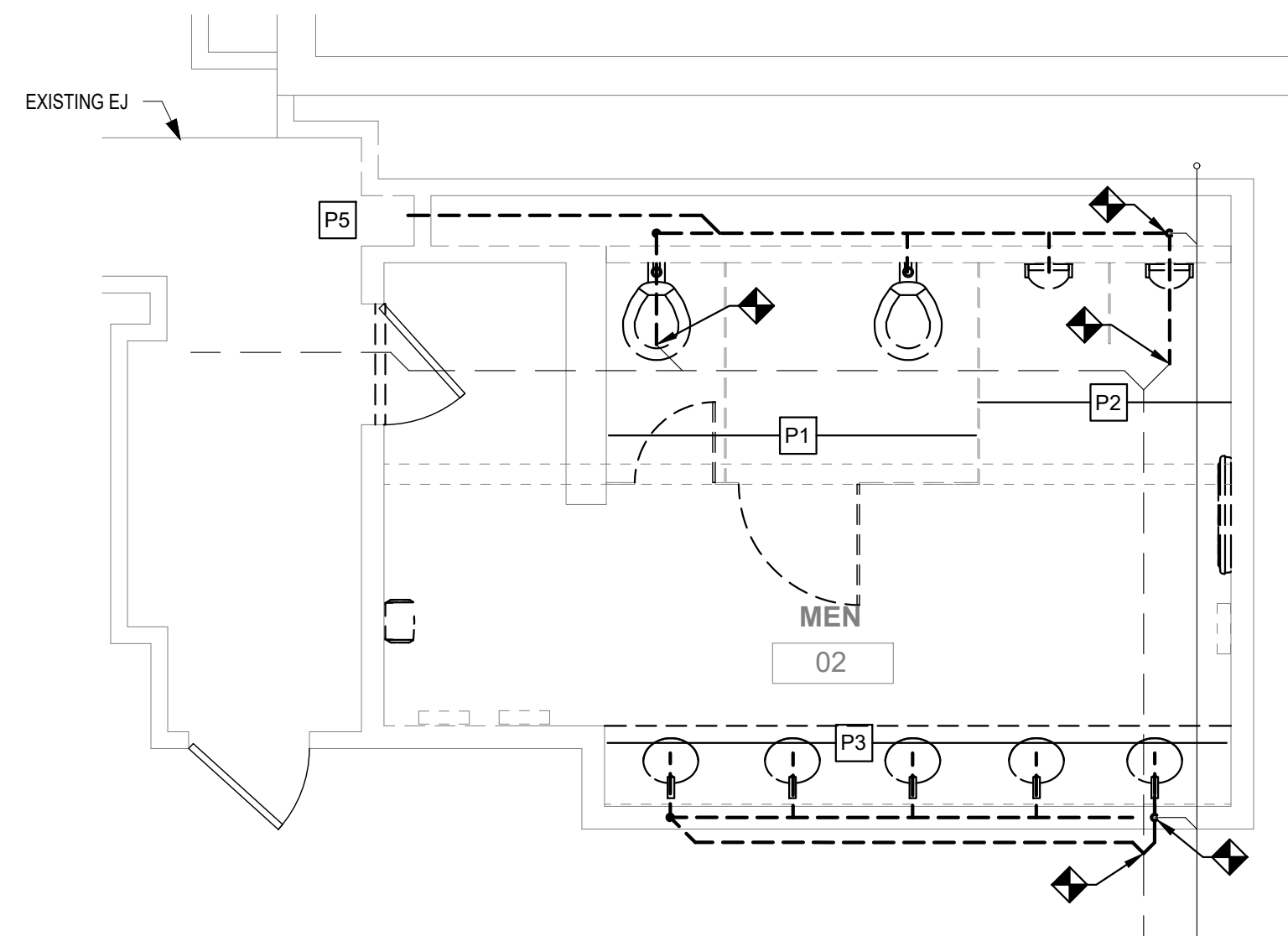
3 PLAN - WOMEN'S RESTROOM
 M101 SCALE: 1/4" = 1'-0"



4 PLAN - MEN'S RESTROOM
 M101 SCALE: 1/4" = 1'-0"



1 DEMO PLAN - WOMEN'S RESTROOM
 M101 SCALE: 1/4" = 1'-0"



2 DEMO PLAN - MEN'S RESTROOM
 M101 SCALE: 1/4" = 1'-0"

DESCRIPTION	EXISTING FIXTURES			NEW FIXTURES			NET CHANGE	
	QTY	DFU	TOTAL DFU	QTY	DFU	TOTAL DFU	QTY	DFU
WATER CLOSET	4	8	32	4	8	32	0	0
URINAL	0	4	0	0	4	0	0	0
LAVATORY	5	2	10	5	2	10	0	0
ELECTRIC WATER COOLER	1	1	1	1	1	1	1	0
FLOOR DRAIN	0	0	0	1	0	0	1	0
TOTAL			43			43	NET CHANGE	0

DESCRIPTION	EXISTING FIXTURES			NEW FIXTURES			NET CHANGE	
	QTY	DFU	TOTAL DFU	QTY	DFU	TOTAL DFU	QTY	DFU
WATER CLOSET	2	8	16	2	8	16	0	0
URINAL	2	4	8	2	4	8	0	0
LAVATORY	5	2	10	5	2	10	0	0
ELECTRIC WATER COOLER	1	1	1	1	1	1	1	0
FLOOR DRAIN	0	0	0	1	0	0	1	0
TOTAL			35			35	NET CHANGE	0

GENERAL NOTES

- REFER TO DRAWING M001 FOR GENERAL NOTES, ABBREVIATIONS AND LEGENDS.
- REFER TO DRAWING M701 FOR SCHEDULES AND DETAILS.
- REFER TO DRAWING M800 SERIES FOR SANITARY AND VENT RISER DIAGRAMS.
- PIPE SIZES AS NOTED ARE FROM HISTORICAL CONSTRUCTION DOCUMENTS DATED BETWEEN 1990 AND 1992. CONTRACTOR SHALL VERIFY ALL SIZES ARE AS SHOWN PRIOR TO START OF WORK. PROVIDE NEW, REPLACE OR MODIFY AS REQUIRED.
- KEYED NOTES MAY NOT APPEAR IN ALL PLAN VIEWS.
- WATER HAMMER ARRESTORS ARE SHOWN FOR APPROXIMATE LOCATION. CONTRACTOR SHALL FIELD COORDINATE FINAL PLACEMENT WITH CONNECTION OF NEW FIXTURES.
- DOMESTIC COLD AND HOT WATER PIPE NOT SHOWN. SEE DOMESTIC WATER NEW WORK NOTES.
- NEW INSULATION SHALL BE INSTALLED FOR ALL NEW DOMESTIC COLD WATER, HOT WATER AND HOT WATER RETURN PIPING.

DOMESTIC WATER NEW WORK:

- CONTRACTOR TO DEMOLISH ALL EXISTING CW & HW WATER SUPPLY PIPE EXPOSED BY INTERIOR DEMOLITION WITHIN THE TOILET ROOM. CUT EXISTING SUPPLY PIPE AT LIMIT OF TOILET ROOM PERIMETER WALLS AND CAP FOR NEW WORK CONNECTIONS.
- CONTRACTOR TO PROVIDE NEW CW & HW SUPPLY PIPE. RECONNECT TO EXISTING INCOMING CW & HW SUPPLY PIPE CAPPED DURING DEMOLITION.
- CONTRACTOR TO PROVIDE NEW DOMESTIC 1/2" CW AND HW DOMESTIC WATER SUPPLY TO EACH LAVATORY (LAV) FIXTURE.
- CONTRACTOR TO PROVIDE 1" CW DOMESTIC WATER SUPPLY TO EACH WATER CLOSET (WC) FIXTURE.
- CONTRACTOR TO PROVIDE 3/4" CW DOMESTIC WATER SUPPLY TO EACH URINAL (UR) FIXTURE.
- WHERE NEW FLOOR DRAINS ARE NOTED ON DRAWINGS, PROVIDE NEW 1/2" TRAP PRIMER CONNECTION.
- CONTRACTOR TO PROVIDE WATER HAMMER ARRESTORS TO DOMESTIC WATER SUPPLY LINES PRIOR TO LAST FIXTURE IN SERIES AS INDICATED. SEE WATER HAMMER ARRESTOR SCHEDULE SHEET M-200.

NEW WORK KEYED NOTES

- (P1) PROVIDE NEW WATER CLOSET AND ALL ACCESSORIES AS NOTED ON FIXTURE SCHEDULE INCLUDING, BUT NOT LIMITED TO, FLUSHMETER, CARRIER, SHUT OFF VALVE, SEAT, DOMESTIC WATER, SANITARY AND VENT PIPING. REFER TO ARCHITECTURAL DRAWINGS FOR MOUNTING HEIGHT AND ADA REQUIREMENTS.
- (P2) PROVIDE NEW URINAL AND ALL ACCESSORIES AS NOTED ON FIXTURE SCHEDULE INCLUDING, BUT NOT LIMITED TO, FLUSHMETER, CARRIER, SHUT OFF VALVE, DOMESTIC WATER, SANITARY AND VENT PIPING. REFER TO ARCHITECTURAL DRAWINGS FOR MOUNTING HEIGHT AND ADA REQUIREMENTS.
- (P3) PROVIDE NEW LAVATORY AND ALL ACCESSORIES AS NOTED ON FIXTURE SCHEDULE INCLUDING, BUT NOT LIMITED TO, FAUCETS, SOAP DISPENSERS, HAND DRYERS, DOMESTIC WATER, SANITARY AND VENT PIPING. REFER TO ARCHITECTURAL DRAWINGS FOR MOUNTING HEIGHT AND ADA REQUIREMENTS.
- (P4) PROVIDE ACCESS PANEL FOR WATER HAMMER ARRESTOR MAINTENANCE. COORDINATE LOCATION WITH NEW DOMESTIC WATER PIPE ELEVATION.
- (P5) PROVIDE NEW RECESSED BOTTLE FILLER WITH ALL TRIM AND ACCESSORIES AS NOTED ON THE FIXTURE SCHEDULE INCLUDING, BUT NOT LIMITED TO REFRIGERATION, FILTER, DOMESTIC WATER, SANITARY AND VENT PIPING. REFER TO ARCHITECTURAL DRAWING FOR MOUNTING HEIGHT AND ADA REQUIREMENTS.
- (P6) PROVIDE FLOOR DRAIN AS NOTED WITH TRAP PRIMER PER CONVENTION CENTER STANDARDS. COORDINATE FINAL LOCATION WITH ARCHITECTURAL DRAWINGS.
- (P7) (NOT USED)
- (P8) (NOT USED)

DEMOLITION KEYED NOTES

- (P1) REMOVE EXISTING WATER CLOSET, FLUSH VALVE, CARRIER, PIPING AND ACCESSORIES. REFER TO NEW WORK PLAN FOR NEW FIXTURE LOCATION AND CONNECTIONS.
- (P2) REMOVE EXISTING URINAL, FLUSH VALVE, CARRIER, PIPING AND ACCESSORIES. REFER TO NEW WORK PLAN FOR NEW FIXTURE LOCATION AND CONNECTIONS.
- (P3) REMOVE EXISTING LAVATORY, FAUCET, PIPING AND ACCESSORIES. REFER TO NEW WORK PLAN FOR NEW FIXTURE LOCATION AND CONNECTIONS.
- (P4) (NOT USED)
- (P5) EXISTING ELECTRIC WATER COOLER, PIPING AND ACCESSORIES ARE REMOVED. REFER TO NEW WORK PLAN FOR NEW FIXTURE LOCATION AND CONNECTIONS.
- (P6) (NOT USED)
- (P7) (NOT USED)
- (P8) (NOT USED)



ARCHITECTS:
 CONVERSE WINKLER ARCHITECTURE
 331 Montgomery Avenue,
 Bala Cynwyd, PA, 19144
 Ph: 610.664.0806
 Fax: 215.664.1075
 Contact: Elin Westrick
 e-mail: ewestrick@cwarc.com

MEP ENGINEERS:
ARORA Arora Engineers
 61 Wilmington West Chester Pike
 Chadds Ford, PA 19317
 P (610) 459-7900 F (610) 459-7950 aroraengineers.com
 Contact: Kevin Sultanik
 e-mail: ksultanik@aroraengineers.com

STRUCTURAL ENGINEERS:
 CSA GROUP
 1341 NORTH DELAWARE AVENUE,
 SUITE 507
 PHILADELPHIA, PA 19125
 Ph: 215.427.8700
 Fax: 215.427.8752
 Contact: Wing Au
 e-mail: wau@csagroup.com

REVISIONS:

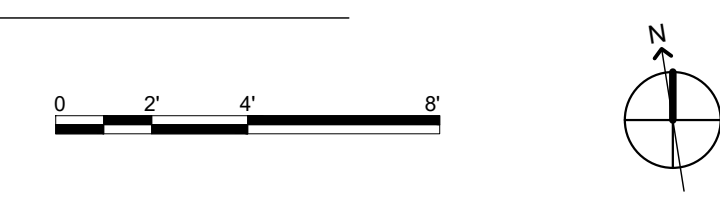
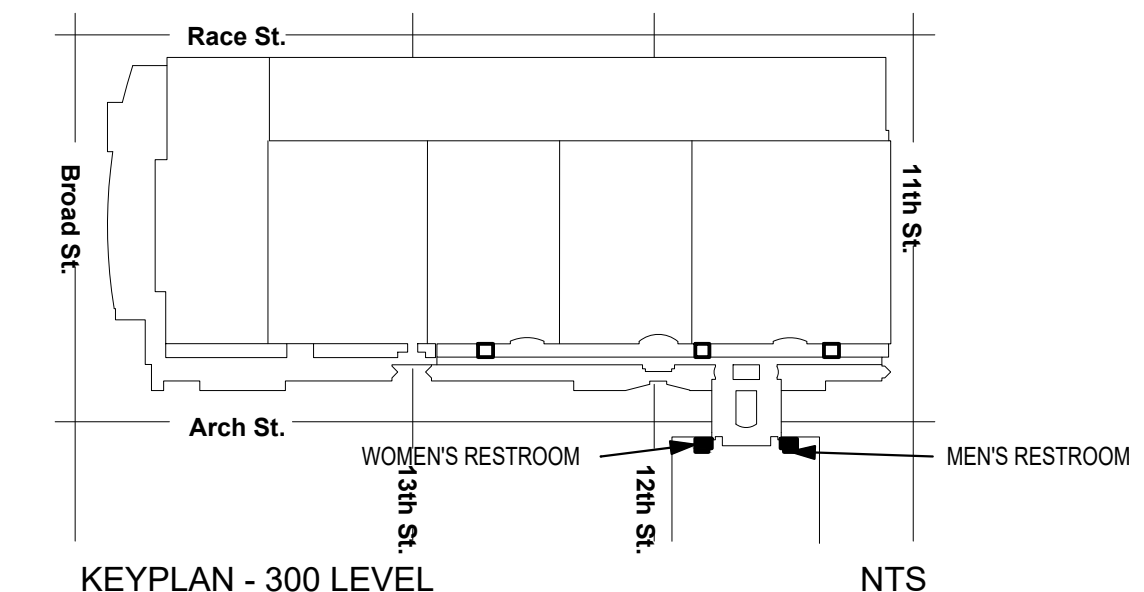
No.	Description	Date

PENNSYLVANIA CONVENTION CENTER
 PCCA RESTROOM RENOVATIONS OVERLOOK RESTROOMS
 1101 ARCH STREET, PHILADELPHIA, PA 19107

DEMOLITION & NEW FLOOR PLANS

Project number CW1615.06
 Date 03/15/2023
 Drawn by DC
 Checked by DG

M101
 Scale 1/4" = 1'-0"



REVISIONS:

No.	Description	Date

PENNSYLVANIA CONVENTION CENTER
PCCA RESTROOM RENOVATIONS OVERLOOK RESTROOMS
 1101 ARCH STREET, PHILADELPHIA, PA 19107

REFLECTED CEILING PLANS

Project number CW1615.06
 Date 03/15/2023
 Drawn by DC
 Checked by DG

M601
 Scale 1/4" = 1'-0"

GENERAL NOTES

- REFER TO DRAWING M001 FOR GENERAL NOTES, ABBREVIATIONS AND LEGENDS.
- REFER TO DRAWING M701 FOR SCHEDULES AND DETAILS.
- EXISTING SPRINKLER HEADS SHALL NOT BE RE-INSTALLED. REUSING SPRINKLER HEADS REMOVED WITHIN PROJECT SCOPE IS PROHIBITED.
- ALL SPRINKLERS SHALL BE CONCEALED SPRINKLER HEADS. SPRINKLER FINISH SHALL BE COORDINATED WITH THE ARCHITECT.
- DUCT SIZES AS NOTED ARE FROM HISTORICAL DRAWINGS. CONTRACTOR SHALL VERIFY ALL SIZES ARE AS SHOWN PRIOR TO START OF WORK. PROVIDE NEW/REPLACE OR MODIFY AS REQUIRED.
- KEYED NOTES MAY NOT APPEAR IN ALL PLAN VIEWS.

NEW WORK KEYED NOTES

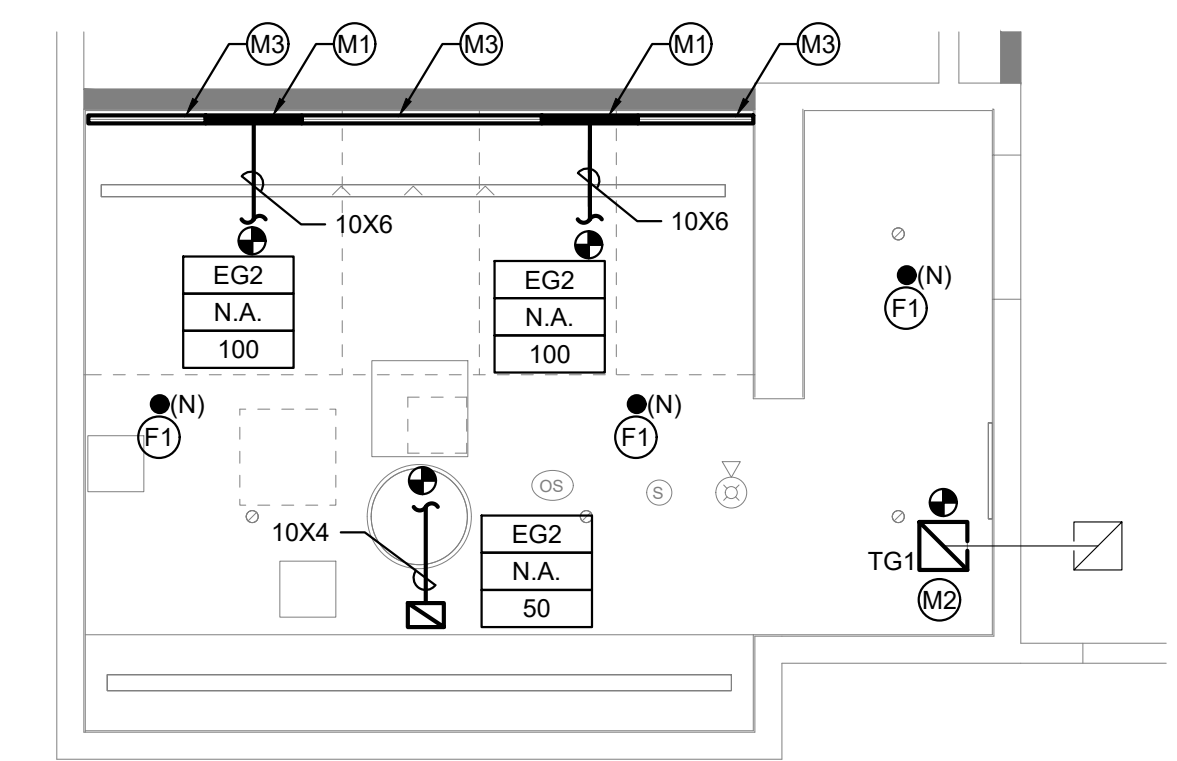
- (M1) PROVIDE NEW CEILING MOUNTED LINEAR SLOT GRILLE FOR TOILET ROOM EXHAUST. CONNECT TO EXISTING EXHAUST DUCTWORK. PROVIDE TRANSITION FROM EXISTING TO NEW. RE-BALANCE EXHAUST SYSTEM AS NOTED ON DRAWING AND IN ACCORDANCE WITH 2018 IMC. WHERE NOTED BY ARCHITECT, GRILLE COLOR TO MATCH SOFFIT COLOR. CONTRACTOR TO PAINT FLAT BLACK THE ENTIRE INTERIOR OF PLENUM BOX AND ANY VISIBLE DUCTWORK.
- (M2) PROVIDE NEW CEILING MOUNTED TRANSFER GRILLE.
- (M3) PROVIDE SPACER SECTIONS FOR CONTINUITY OF GRILLE FOR CONTINUOUS GRILLE APPEARANCE IN SOFFIT. CONTRACTOR TO PROVIDE BLANK OFF PANELS ABOVE GRILLES TO OBSCURE STRUCTURE ABOVE FROM VIEW.
- (F1) PROVIDE NEW CONCEALED SPRINKLER HEAD. CONTRACTOR SHALL REUSE AS MUCH OF THE EXISTING SPRINKLER BRANCH PIPING AS POSSIBLE TO ACCOMMODATE NEW SPRINKLER HEAD LOCATION CONDITIONS. WHERE NOT ABLE TO REUSE EXISTING PIPING, NEW PIPING SHALL BE PROVIDED.
- (F2) (NOT USED)

PRE-DEMOLITION BALANCING NOTE

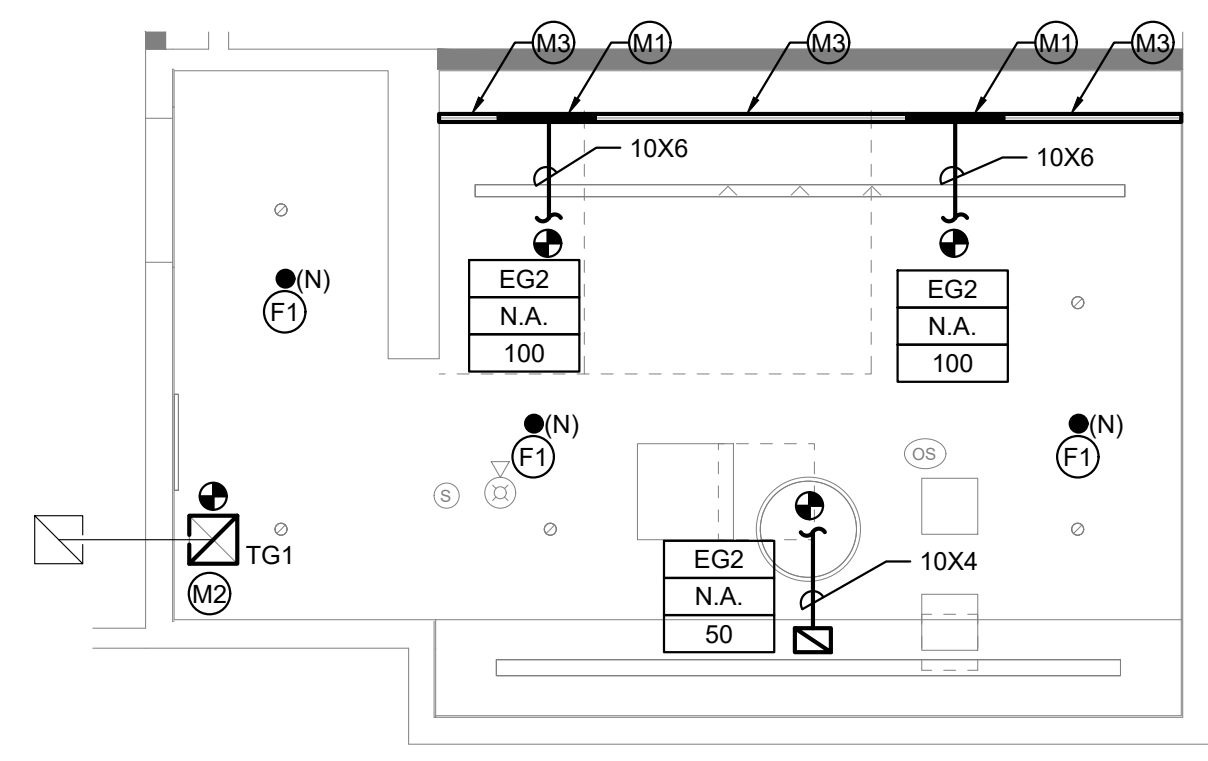
PRIOR TO START OF ANY WORK, MEASURE AND RECORD EXISTING EXHAUST AIRFLOWS THRU EXISTING GRILLES. SUBMIT PRE-DEMOLITION BALANCING REPORT TO ENGINEER PRIOR TO STARTING ANY WORK. VERIFY (E) BALANCING PROVISIONS AND PROVIDE NEW/ADDITIONAL BALANCING DAMPERS, ETC AS REQUIRED TO BALANCE NEW INSTALLATION TO VALUES INDICATED.

DEMOLITION KEYED NOTES

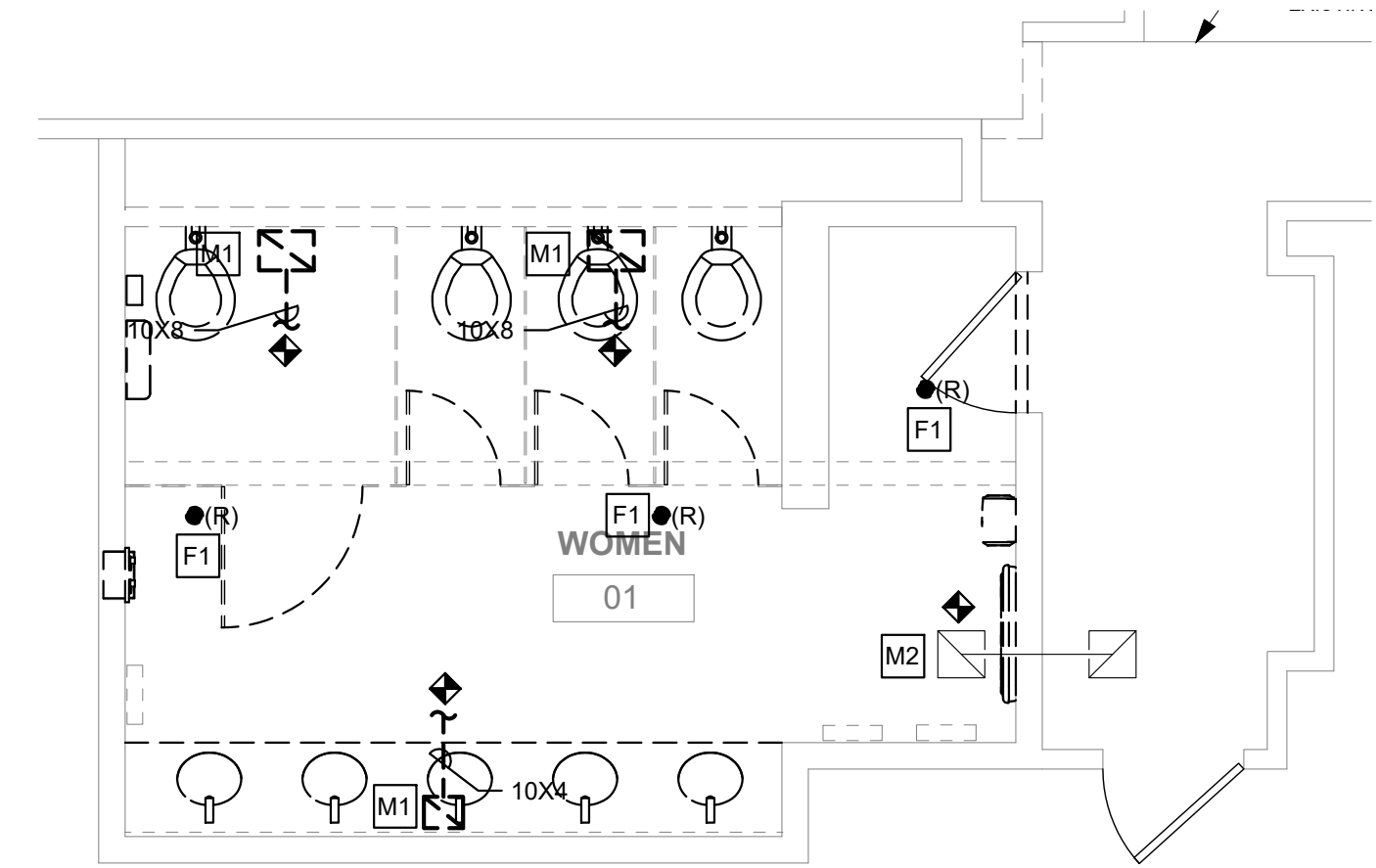
- (M1) REMOVE EXISTING EXHAUST GRILLE. PREPARE DUCT FOR INSTALLATION OF NEW GRILLE. REFER TO ARCHITECTURAL PLAN FOR NEW CEILING HEIGHT. REFER TO NEW WORK PLAN FOR NEW GRILLE LOCATION.
- (M2) REMOVE TRANSFER AIR GRILLE. PREPARE DUCT FOR INSTALLATION OF NEW GRILLE. REFER TO ARCHITECTURAL PLAN FOR NEW CEILING HEIGHT. REFER TO NEW WORK PLAN FOR GRILLE LOCATION.
- (F1) REMOVE SPRINKLER HEAD. REMOVE EXISTING BRANCH LINES, FITTINGS, ETC. BACK TO EXISTING ELBOW OR TEE. REUSE AS MUCH OF THE EXISTING MAINS AS POSSIBLE. REFER TO DRAWING SHEET M701, DETAIL 1 FOR TYPICAL MODIFICATION.



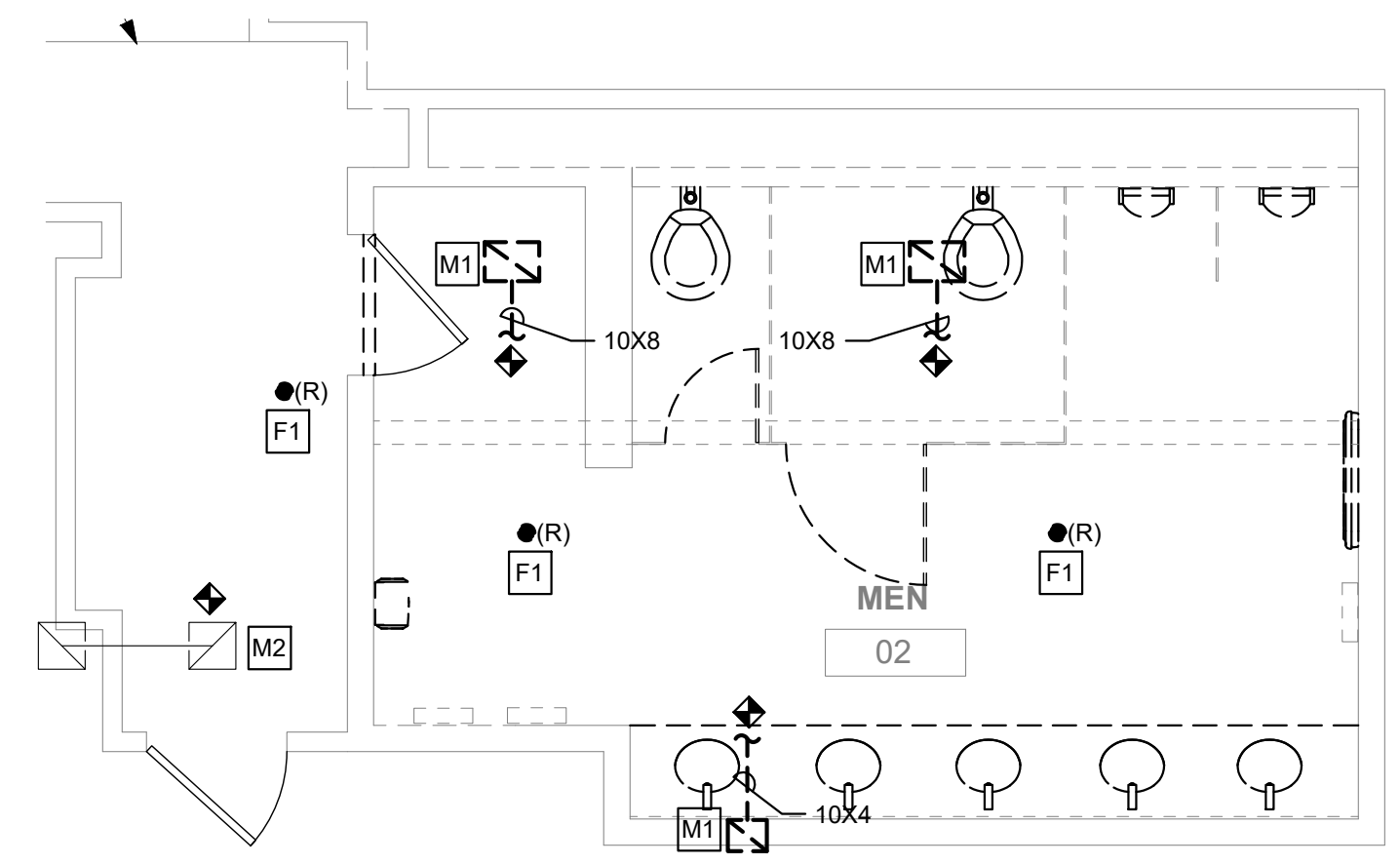
3 REFLECTED CEILING PLAN - WOMEN'S RESTROOM
 M601 SCALE: 1/4" = 1'-0"



4 REFLECTED CEILING PLAN - MEN'S RESTROOM
 M601 SCALE: 1/4" = 1'-0"



1 DEMO PLAN - WOMEN'S RESTROOM
 M601 SCALE: 1/4" = 1'-0"



2 DEMO PLAN - MEN'S RESTROOM
 M601 SCALE: 1/4" = 1'-0"

EXHAUST VENTILATION - WOMEN'S RESTROOM

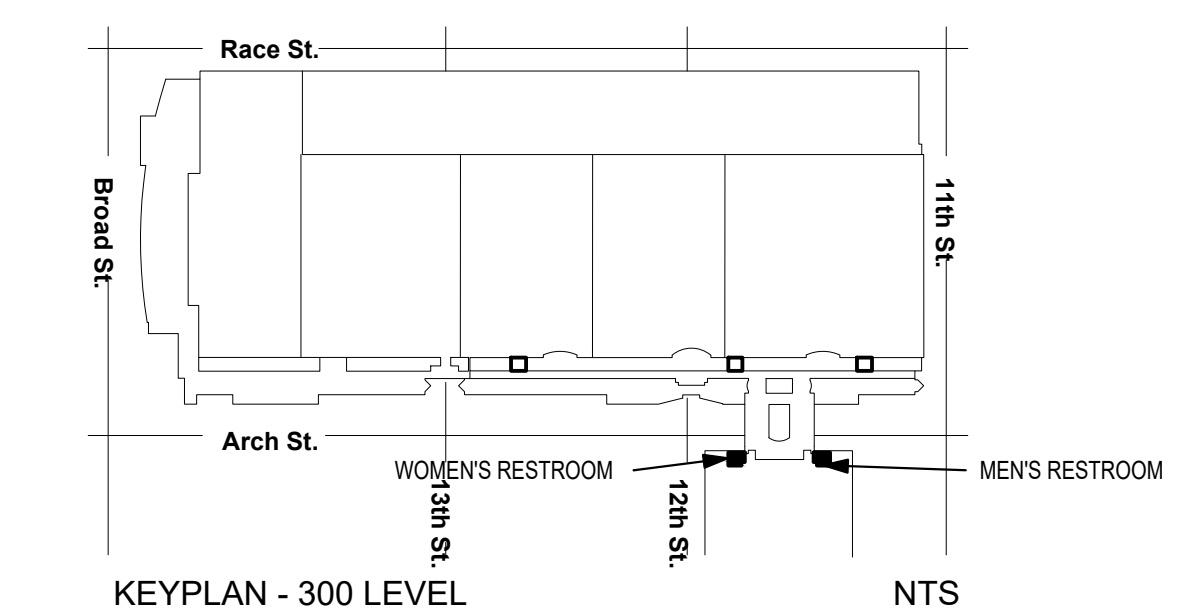
ROOM TYPE	ROOM NAME	TOTAL NUMBER OF WC'S AND UR'S	EXHAUST AIR (CFM PER FIXTURE)	EXHAUST AIR (CFM REQUIRED)	EXHAUST AIR (CFM PROVIDED)
TOILET ROOM-PUBLIC	WOMEN	4	50	200	250

NOTES:
 1. EXHAUST PROVIDED PER SECTION 403 OF THE 2021 IMC (PER PA UCC AS ADOPTED FEB 14, 2022).
 2. EXHAUST RUNS CONTINUOUSLY DURING OCCUPIED PERIOD.

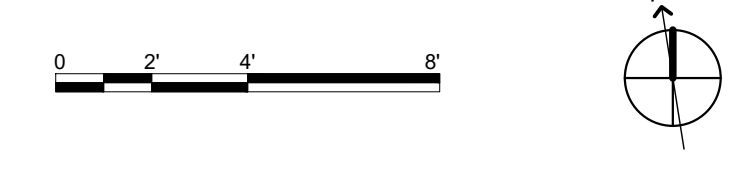
EXHAUST VENTILATION - MEN'S RESTROOM

ROOM TYPE	ROOM NAME	TOTAL NUMBER OF WC'S AND UR'S	EXHAUST AIR (CFM PER FIXTURE)	EXHAUST AIR (CFM REQUIRED)	EXHAUST AIR (CFM PROVIDED)
TOILET ROOM-PUBLIC	MEN	4	50	200	250

NOTES:
 1. EXHAUST PROVIDED PER SECTION 403 OF THE 2021 IMC (PER PA UCC AS ADOPTED FEB 14, 2022).
 2. EXHAUST RUNS CONTINUOUSLY DURING OCCUPIED PERIOD.



KEYPLAN - 300 LEVEL
 NTS



GRILLE / REGISTER / DIFFUSER SCHEDULE														
TAG	DESCRIPTION	FRAME TYPE	CFM RANGE	MAXIMUM NO.	NECK SIZE (INCHES)	FACE SIZE (INCHES)	SLOT DIFFUSER				REMARKS	FINISH	MANUFACTURER & MODEL (BASIS OF DESIGN)	COMMENTS
							NOMINAL LENGTH	LENGTH	NO. SLOTS	SLOT WIDTH				
EG2	LINEAR EXHAUST GRILLE	CEILING MOUNTED	70 - 250	37	--	--	24"	23-5/8"	1	1-1/2"	PROVIDE BLANK OFF. KRUEGER MODEL DFBO FOR CONTINUOUS GRILLE IN SOFFIT	FINISH PER ARCHITECT	KRUEGER DFL FOR GWB CEILING, LESS PATTERN DEFLECTORS, FRAME AD	PROVIDE PLENUM BOX BY KRUEGER OR CONSTRUCT BOX IN FIELD. CONTRACTOR SHALL TRANSITION FROM EXISTING DUCTWORK TO NEW PLENUM BOX AND REBALANCE TO CFM AS NOTED ON PLAN VIEWS. BUTT ENDS 03, TYP.
EG3	RECTANGULAR EXHAUST GRILLE	CEILING MOUNTED	50	37	N / A	8" X 6"	--	--	--	--	--	FINISH PER ARCHITECT	KRUEGER S80	BLADES SHALL HAVE 35° DEFLECTION ANGLE.
TG1	TRANSFER GRILLE	CEILING MOUNTED	200 - 1100	--	N / A	12" X 12"	--	--	--	--	--	FINISH PER ARCHITECT	KRUEGER S85	BLADES SHALL HAVE 35° DEFLECTION ANGLE.

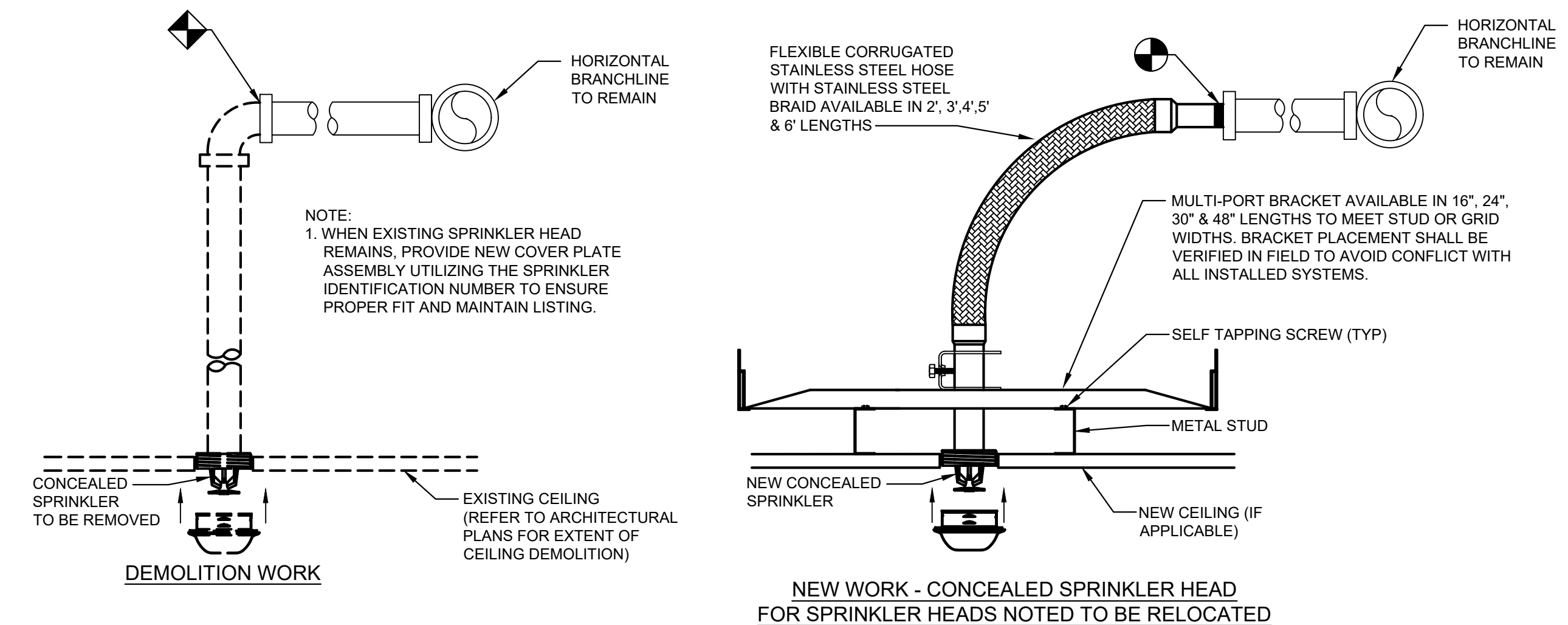
NOTE: A: 1. EXISTING DUCT SIZES ARE BASED ON HISTORICAL AS BUILT DRAWINGS. EXISTING GRILLE SIZE IS BASED ON SURVEY PHOTOGRAPHS. CONTRACTOR SHALL VERIFY EXISTING CONDITIONS PRIOR TO START OF PROJECT.
2. CONTRACTOR TO FULLY SEAL VENTS AND PLENUM BOXES TO DUCTS AND PROVIDE BLANK-OFF PANELS TO OBSOLETE VIEW OF STRUCTURE ABOVE.

WATER HAMMER ARRESTER SCHEDULE					
PIPE SIZE (IN)	SYMBOL	AIR CHARGE	PISTON LENGTH	PISTON DIAMETER	FIXTURE UNITS (DFU)
1/2"	A	60 PSIG	6"	1-1/8"	1 - 11
3/4"	B	60 PSIG	7-1/4"	1-1/8"	12 - 32
1"	C	60 PSIG	8-3/4"	1-3/8"	33 - 60
1-1/4"	D	60 PSIG	10-3/16"	1-5/8"	61 - 113

NOTE:
1. BASIS OF DESIGN WATER HAMMER ARRESTOR IS JAY R SMITH HYDROTROL, 5200 SERIES.
2. DFU COUNT SHALL BE BASED ON PHILADELPHIA PLUMBING CODE.
3. REFER TO RISER FOR LOCATION OF WATER HAMMER ARRESTOR.
4. REFER TO PLAN FOR ACCESS DOOR LOCATION.

PLUMBING FIXTURE SCHEDULE									
TAG	DESCRIPTION	LOCATION	FIXTURE CONNECTION SIZE				BASIS OF DESIGN MANUFACTURER, MODEL NUMBER, TRIM AND ACCESSORIES		
			CW	HW	SAN	V			
WC1	WATER CLOSET	AS NOTED BY ARCHITECT	1"	-	4"	2"	PROVIDE WATER SENSE LABELED TOTO CT708 EVG AND FLUSH VALVE TET2LA31#SS. WATER CLOSET AND CONCEALED FLUSH VALVE FOR A WALL MOUNTED WATER CLOSET WITH A BACK SPUD WATER SUPPLY. SEAT TO BE SC534 OPEN FRONT, LESS COVER.		
WC2	WATER CLOSET	ADA BY ARCHITECT	1"	-	4"	2"	PROVIDE WATER SENSE LABELED TOTO CT708 EVG AND FLUSH VALVE TET2LA31#SS. WATER CLOSET AND CONCEALED FLUSH VALVE FOR A WALL MOUNTED WATER CLOSET WITH A BACK SPUD WATER SUPPLY. SEAT TO BE SC534 OPEN FRONT, LESS COVER.		
UR1	URINAL	AS NOTED BY ARCHITECT	3/4"	-	2"	2"	PROVIDE WATER SENSE LABELED TOTO UT104 EV AND FLUSH VALVE TEU2LA11#SS. URINAL AND CONCEALED FLUSH VALVE FOR WALL MOUNTED URINAL WITH A BACK SPUD WATER SUPPLY. PROVIDE STAINLESS STEEL DRAIN COVER.		
UR2	URINAL	ADA BY ARCHITECT	3/4"	-	2"	2"	PROVIDE WATER SENSE LABELED TOTO UT104 EV AND FLUSH VALVE TEU2LA11#SS. URINAL AND CONCEALED FLUSH VALVE FOR WALL MOUNTED URINAL WITH A BACK SPUD WATER SUPPLY. PROVIDE STAINLESS STEEL DRAIN COVER.		
LAV2	LAVATORY	AS NOTED BY ARCHITECT	1/2"	1/2"	1-1/4"	1-1/4"	SLOAN UNDERMOUNT OVAL LAVATORY SS-3001. PROVIDE BASYS MID HEIGHT, CHROME FINISH, SENSOR FAUCET AND HANDS FREE SOAP DISPENSER ESD-500-CP WITH AC ADAPTOR.		
LAV3	LAVATORY	ADA BY ARCHITECT	1/2"	1/2"	1-1/4"	1-1/4"	SLOAN UNDERMOUNT OVAL LAVATORY SS-3001. PROVIDE BASYS MID HEIGHT, CHROME FINISH, SENSOR FAUCET AND HANDS FREE SOAP DISPENSER ESD-500-CP WITH AC ADAPTOR.		
EW3	BOTTLE FILLER	EXTERIOR TO REST ROOM	1/2"	-	1-1/4"	1-1/4"	ELKAY RECESSED BOTTLE FILLER MODEL LZWSM8K WITH MOUNTING FRAME. UNIT SHALL HAVE REFRIGERATION AND FILTER. PROVIDE WITH GREEN COUNTER AND SENSOR FOR WATER ACTIVATION.		
FD1	FLOOR DRAIN	TOILET ROOMS	1/2"	-	2"	1-1/4"	JR SMITH 2110 WITH 1/2" TRAP PRIMER CONNECTION. GRATE SHALL BE VANDAL AND HEEL PROOF POLISHED BRONZE.		

NOTE: NOT ALL FIXTURES MAY BE INCLUDED IN PROJECT. REFER TO PLANS FOR FIXTURE TYPES AND QUANTITIES.

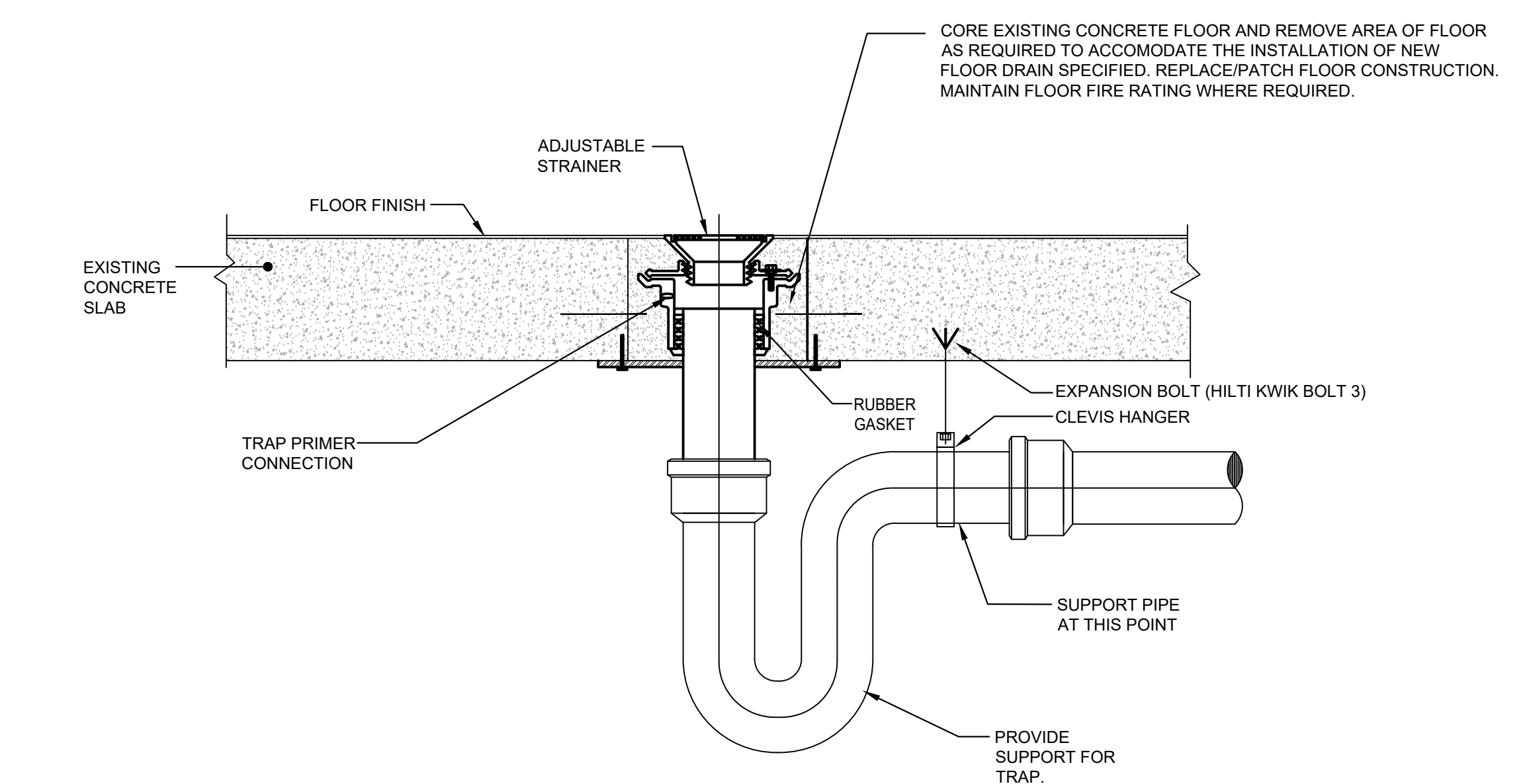


1
M701 TYPICAL SPRINKLER HEAD RELOCATION MODIFICATION
SCALE: NOT TO SCALE

FIRE PROTECTION HANGER SCHEDULE									
MAXIMUM DISTANCE BETWEEN HANGERS									
NOMINAL PIPES SIZE (in.)	1"	1 - 1/4"	1 - 1/2"	2"	2 - 1/2"	3"	3 - 1/2"	4"	
STEEL PIPE	12-0	12-0	15-0	15-0	15-0	15-0	15-0	15-0	

HANGERS 4" OR LARGER TO BE CLEVIS TYPE HANGERS, 3" AND SMALLER ARE ALLOWED TO BE BAND TYPE HANGERS.

SPRINKLER APPLICATION SCHEDULE								
SYMBOL	SPRINKLER TYPE	COVERAGE	RESPONSE	K-FACTOR	NUMBER OF SPRINKLERS	ORIFICE SIZE (IN)	TEMPERATURE RATING (°F)	ESCUTCHEON TYPE / COMMENT
(N)	CONCEALED PENDENT SPRINKLER	STANDARD	QUICK	5.6	113	1/2"	165	STANDARD BRASS / FLAT CONCEALED COVER PLATE / COLOR BY ARCHITECT



2
M701 FLOOR DRAIN DETAIL
SCALE: NOT TO SCALE

REVISIONS:		
No.	Description	Date

REVISIONS:

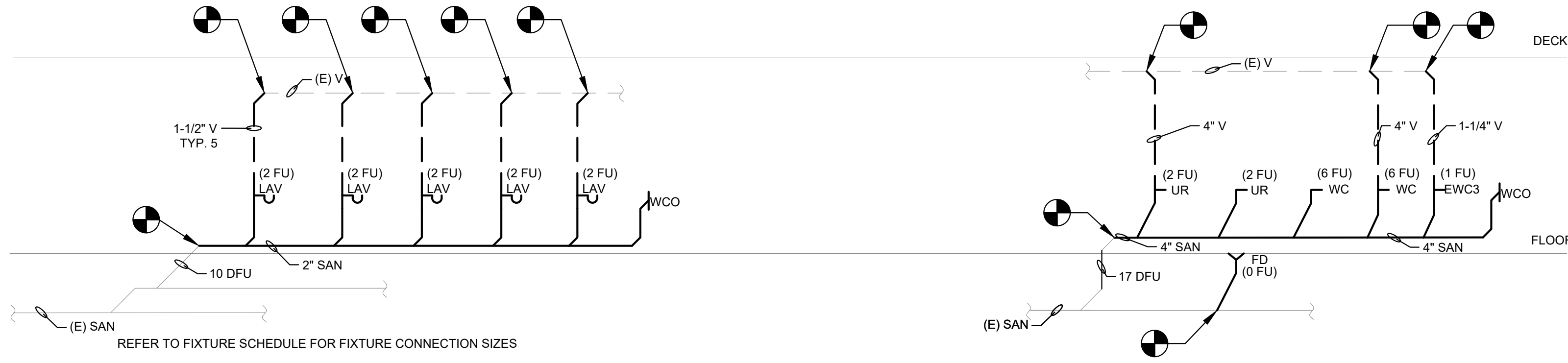
No.	Description	Date

PENNSYLVANIA CONVENTION CENTER
PCCA RESTROOM RENOVATIONS OVERLOOK RESTROOMS
 1101 ARCH STREET, PHILADELPHIA, PA 19107

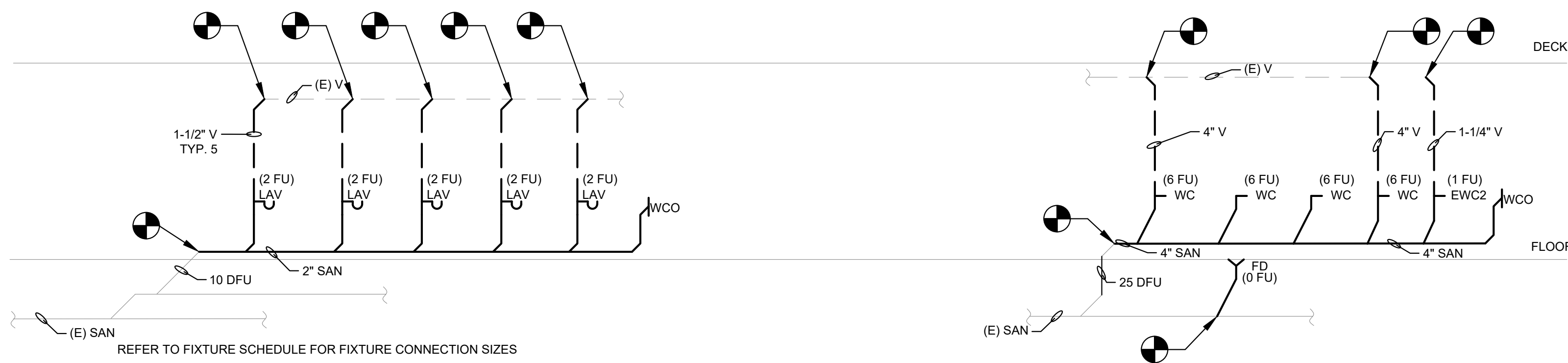
PLUMBING RISER DIAGRAMS

Project number CW1615.06
 Date 03/15/2023
 Drawn by DC
 Checked by DG

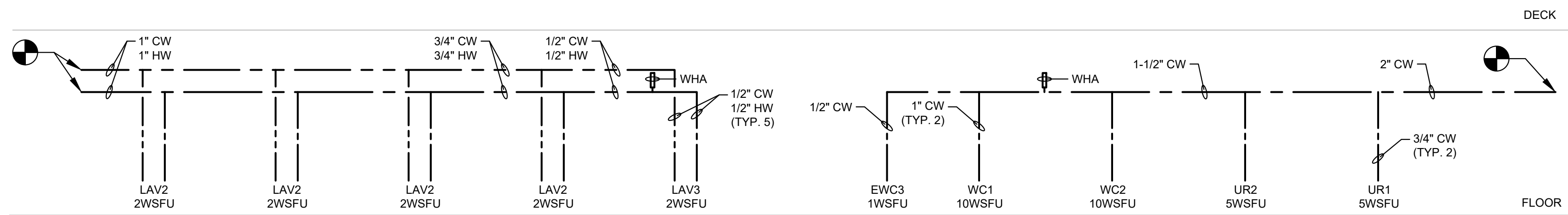
M801
 Scale NOT TO SCALE



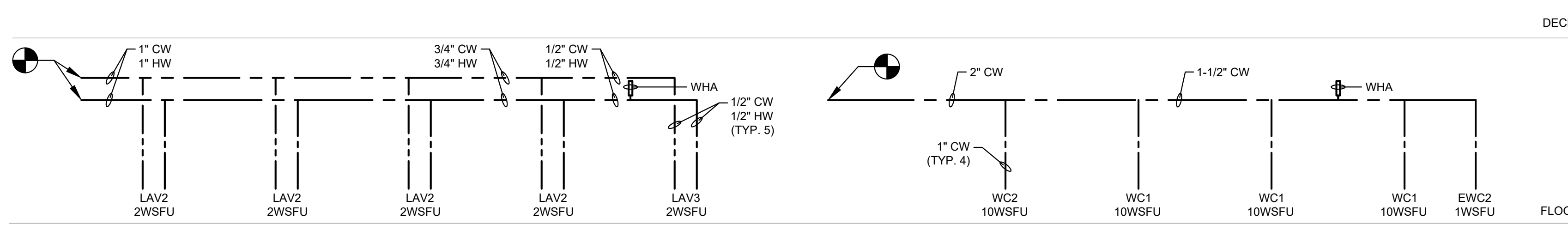
1 SANITARY RISER MEN'S ROOM - OVERLOOK
 SCALE: NOT TO SCALE



2 SANITARY RISER WOMEN'S ROOM - OVERLOOK
 SCALE: NOT TO SCALE



3 DOMESTIC WATER RISER MEN'S ROOM - OVERLOOK
 SCALE: NOT TO SCALE



4 DOMESTIC WATER RISER WOMEN'S ROOM - OVERLOOK
 SCALE: NOT TO SCALE

GENERAL ELECTRICAL NOTES

- ALL WORK SHALL BE IN ACCORDANCE WITH ALL APPLICABLE LAWS, CODES, AND REGULATIONS ADOPTED BY MUNICIPAL, COUNTY, STATE, AND FEDERAL AUTHORITIES, INCLUDING THE LATEST ADOPTED EDITION OF THE NATIONAL ELECTRICAL CODE (NEC) NFPA 70, AND WITH THE REQUIREMENTS/AMENDMENTS OF THE LOCAL AUTHORITY HAVING JURISDICTION (AHJ).
- CONTRACT DRAWINGS ARE DIAGRAMMATIC IN NATURE AND ARE INTENDED TO CONVEY SCOPE, DESIGN INTENT, AND GENERAL ARRANGEMENT ONLY. CONTRACTOR IS RESPONSIBLE FOR COORDINATING ALL WORK OF ALL TRADES INCLUDING RESOLUTION OF FIELD CONFLICTS THAT MAY ARISE.
- EACH FEEDER AND BRANCH CIRCUIT SHALL INCLUDE AN INSULATED EQUIPMENT GROUNDING CONDUCTOR, BOND ALL ELECTRICAL EQUIPMENT, OUTLET BOXES, GROUNDING TYPE RECEPTACLES, ETC., IN ACCORDANCE WITH NEC ARTICLE 250.
- MULTI-WIRE BRANCH CIRCUITS SHALL NOT BE PERMITTED. EACH 120V AND 277V BRANCH CIRCUIT SHALL INCLUDE DEDICATED NEUTRAL AND INSULATED GROUNDING CONDUCTORS. BOND ALL ELECTRICAL EQUIPMENT, OUTLET BOXES, GROUNDING TYPE RECEPTACLES, ETC., IN ACCORDANCE WITH NEC ARTICLE 250.
- TROUGHS, JUNCTION AND PULL BOXES ARE NOT NECESSARILY INDICATED, BUT SHALL BE PROVIDED WHERE MANDATED BY THE NEC, AND AS REQUIRED FOR EASE OF INSTALLATION. BOXES SHALL BE SIZED (MINIMUM) IN ACCORDANCE WITH NEC ARTICLE 314. TROUGHS SHALL BE SIZED PER NEC ARTICLE 366.
- FEEDER AND BRANCH CIRCUIT WIRING ARE DEPICTED BY ASSIGNMENT OF CIRCUIT NUMBERS, INTERCONNECTING WIRING AND HOMERUNS, OR HOMERUNS ONLY (FOR SINGULAR LOADS). ALL FEEDERS AND BRANCH CIRCUITS ARE NEW TO BE PROVIDED UNDER THIS CONTRACT UNLESS OTHERWISE NOTED. INTERIOR WIRING SHALL BE INSTALLED IN RIGID METALLIC CONDUIT AND/OR EMT, 3/4" MINIMUM. FLEXIBLE METAL CONDUIT, LIQUID-TIGHT FLEXIBLE METAL CONDUIT, OR MC CABLE SHALL BE UTILIZED IN LIMITED LENGTHS AS NECESSARY, OR AS REQUIRED/ALLOWED BY CODE.
- ALL NEW 600V OVER-CURRENT PROTECTIVE DEVICES SHALL HAVE INTERRUPTING CAPABILITIES OR RATINGS (AIC OR AIR) IN RMS AMPERES SYMMETRICAL. ALL DEVICES SHALL BE FULLY RATED FOR AVAILABLE FAULT CURRENT. ALL PANELBOARDS, SWITCHBOARDS, MDPDS, DEVICES, ETC. SHALL BE FULLY RATED.
- ALL BUILDING WIRE SHALL BE COPPER CONDUCTORS, TYPE THHN/THWN (DUAL LISTED) 90 DEGREE CELSIUS RATED INSULATION, #12 AWG MINIMUM, UTILIZE #10 AWG WIRE FOR ANY 15A OR 20A, 120V CIRCUIT THAT EXCEEDS 100 FEET FROM SOURCE TO LAST DEVICE OR OUTLET.
- DO NOT THROUGH-FEED WITH GFCI RECEPTACLES FOR DOWNSTREAM DEVICE PROTECTION. EACH WIRING DEVICE REQUIRED TO HAVE GFCI PROTECTION SHALL BE STAND-ALONE.
- CONTRACTOR SHALL PROVIDE AND INSTALL AN APPROVED, UL LISTED, FIRE STOP SEALANT, TOTALLY ENCLOSING ALL PENETRATIONS THROUGH RATED CEILING, WALLS, ROOFS, FLOORS, ETC. ALL FLOOR PENETRATIONS SHALL BE CORE-DRILLED, SLEEVED AND SEALED WITH AN APPROVED FIRE RATED SEALANT. CONTRACTOR SHALL SUBMIT LETTER TO OWNER THAT THE REQUIRED FIRE SEALANT WAS INSTALLED PER MANUFACTURER'S REQUIREMENTS. ALL EXISTING PENETRATIONS BETWEEN FLOORS AND WALLS MUST BE CLOSED TO MAINTAIN FIRE RATING.
- THE CONTRACTOR SHALL PERFORM THE WORK AS INDICATED ON THE DRAWINGS AND SPECIFICATIONS. ANY DEVIATIONS FROM THE DRAWINGS SHALL BE SUBMITTED TO THE ENGINEER FOR REVIEW AND APPROVAL IN WRITING. IF CHANGES ARE MADE WITHOUT THE ENGINEER'S WRITTEN CONSENT, THE CONTRACTOR SHALL BE LIABLE FOR ANY ISSUES THAT MAY ARISE DUE TO THE CHANGES.
- UNLESS OTHERWISE NOTED, ALL WIRE SIZES SHALL BE BASED ON THE FOLLOWING:
 - #14 THROUGH #1 OR 100A OR LESS - TABLE 310.16 60° COLUMN
 - #1/0 AND GREATER OR 101A OR GREATER - TABLE 310.16 75° COLUMN
 - OTHER ALLOWANCES OF 110.14(C)
- UNLESS OTHERWISE NOTED, ALL CONDUIT SIZES SHALL BE BASED ON EMT, RMC, OR RNC (PVC SCHEDULE 40).
- ALL ELECTRICAL MATERIALS, DEVICES, APPLIANCES AND EQUIPMENT SHALL BE NEW, LABELED AND LISTED BY A NATIONALLY RECOGNIZED TESTING LABORATORY OR AGENCY (E.G. UL), UNLESS OTHERWISE NOTED.
- ELECTRICAL CONTRACTOR SHALL FOLLOW ALL MANUFACTURER'S INSTRUCTIONS FOR INSTALLATION OF ALL EQUIPMENT IF NOT INDICATED ON DRAWINGS. IF THERE IS A DISCREPANCY, MANUFACTURER'S INSTRUCTIONS TAKE PRECEDENCE.
- THE EC SHALL FURNISH ALL EQUIPMENT, LABOR, SERVICES, AND MATERIALS REQUIRED FOR COMPLETE INSTALLATION OF THE WORK INDICATED. UNLESS OTHERWISE NOTED, ALL MATERIALS SHALL BE NEW.
- REWORK EXISTING EMERGENCY CIRCUITS AS INDICATED FOR NEW LAYOUT.
- PROVIDE ACCESS PANELS AS REQUIRED FOR ACCESS TO EQUIPMENT.
- ALL WIRING, EQUIPMENT, STARTERS AND CONTROLS SHALL CONFORM TO THE NATIONAL ELECTRIC CODE AND TO THE REQUIREMENTS OF THE LOCAL UTILITY COMPANY.
- NEW LIGHT SWITCHING IS TO CONTROL 50% ILLUMINATION OF LIGHT FIXTURE PER ENERGY CODE. MOTION ACTIVATION WITH ENERGY EFFICIENT AUTO SHUT OFF MAY BE SUBSTITUTED. MOTION ACTIVATION WILL ELIMINATE DUPLICATE WIRING AND SWITCHING, INDICATED ON PLAN.
- ALL WIRING METHODS SHALL BE NEC COMPLIANT AND MEET THE REQUIREMENTS OF THE SPACE, OCCUPANCY & CONDITION OF USE.
- DO NOT SCALE DRAWINGS. CONTRACTOR SHALL VERIFY AND CONFIRM ALL DIMENSIONS IN THE FIELD AND NOTIFY THE ENGINEER OF ANY AND ALL DISCREPANCIES ON THE DRAWINGS. COPIES OF THIS DRAWING WITHOUT A PROFESSIONAL ENGINEER'S SEAL AND ORIGINAL SIGNATURE SHALL NOT BE CONSIDERED VALID AND ARE FOR CONVENIENCE TO THE USER AT THEIR OWN RISK.
- ALL NEW BREAKERS AND/OR DEVICES BEING INSTALLED IN EXISTING ELECTRICAL PANELS OR EQUIPMENT SHALL MATCH THE CHARACTERISTICS OF THE EXISTING EQUIPMENT IN MANUFACTURER, TYPE, MINIMUM SHORT CIRCUIT RATING, ETC.
- FURNISH ALL NECESSARY MATERIALS, TOOLS AND LABOR AND INSTALL A COMPLETE AND FULLY OPERABLE WIRING SYSTEM AS INDICATED OR REASONABLY IMPLIED. ALL OUTLETS SHALL BE FULLY CONNECTED TO SOURCES OF CURRENT SUPPLY AND LEFT READY FOR USE. UNLESS NOTED OTHERWISE, ALL MATERIALS SHALL BE NEW, FREE OF DEFECTS AND BE UL LISTED.

FIRE ALARM PHASING NOTES

- PERFORM AN INITIAL TEST IN ACCORDANCE WITH THE TESTING PROCEDURES OUTLINED IN NFPA 72 FOR THE FIRE ALARM DEVICES IN EACH AREA OF WORK. NOTE ANY DEFICIENCIES. ALL TEST RESULTS SHALL BE SUBMITTED TO THE ENGINEER FOR REVIEW AND RECORD.
- SUBMIT SHOP DRAWING. IDENTIFY SPECIFIC TIE-IN LOCATIONS FOR FIRE ALARM DEVICES. IDENTIFY MEANS AND METHODS FOR MAINTAINING CIRCUIT CONTINUITY.
- EXTEND CIRCUITS AS REQUIRED FOR EXISTING CIRCUIT TIE-INS TO NEW LOCATIONS IDENTIFIED ON THE SHOP DRAWINGS.
- DISCONNECT EXISTING DEVICES AND CIRCUITS AS REQUIRED. MAINTAIN CONTINUITY OF ALL CIRCUITS BY THE APPROVED METHOD ON THE SHOP DRAWINGS.
- INSTALL NEW DEVICES TO NEW CEILING LOCATIONS AS INDICATED ON THE SHOP DRAWINGS. MAINTAIN IDENTICAL DEVICE PLACEMENT AS PREVIOUSLY REMOVED EXISTING DEVICES. COORDINATE ALL WORK WITH OTHER TRADES IN THE SAME AREA OF WORK, AND WITH ARCHITECTURAL DRAWINGS.
- UPON COMPLETION OF INSTALLATION WORK, THE CONTRACTOR SHALL COORDINATE AND PERFORM ALL NECESSARY TESTING AND INSPECTIONS WITH ALL OTHER TRADES AND THE AHJ AS NECESSARY FOR A SUCCESSFUL INSPECTION. RE-TESTING AND RE-INSPECTIONS DUE TO CONTRACTOR ERROR SHALL BE AT NO ADDITIONAL COST TO THE OWNER.
- SUBMIT ALL REQUIRED CLOSEOUT DOCUMENTATION FOR REVIEW AND RECORD.

GENERAL SYMBOLS LEGEND

	DUPLEX RECEPTACLE MOUNTED 18" AFF; NEMA 5-20R, 20A, 125V, 2P 3W. U.O.N.
	DUPLEX RECEPTACLE MOUNTED ABOVE COUNTERTOP; NEMA 5-20R, 20A, 125V, 2P 3W. U.O.N.
	GROUND FAULT CIRCUIT INTERRUPT DUPLEX RECEPTACLE; NEMA 5-20R, 20A, 125V, 2P 3W. U.O.N.
	GROUND FAULT CIRCUIT INTERRUPT DUPLEX RECEPTACLE MOUNTED UNDERNEATH COUNTERTOP; NEMA 5-20R, 20A, 125V, 2P 3W. U.O.N.
	JUNCTION BOX
	ELECTRICAL PANELBOARD
	HOMERUN TO PANELBOARD
	20A, 120/277V, RATED SINGLE TOGGLE LIGHT SWITCH
	20A, 120/277V, MOTOR RATED SINGLE TOGGLE SWITCH
	24V RATED LIGHT SWITCH OCCUPANCY SENSOR DUAL TECHNOLOGY SENSING. BASIS OF DESIGN: HUBBELL CONTROL: LHMTS1-24V-WH
	CEILING MOUNTED DUAL TECHNOLOGY OCCUPANCY SENSOR (XX## DENOTES PANEL AND BEAKER INFORMATION) BASIS OF DESIGN: HUBBELL OMNIODT 2000 (360°, 22" RADIUS)
	WALL MOUNTED OCCUPANCY SENSOR
	SPEAKER
	FIRE ALARM SYSTEM CEILING MOUNTED SMOKE DETECTOR
	FIRE ALARM SYSTEM CEILING MOUNTED AUDIBLE / VISUAL NOTIFICATION DEVICE, # INDICATES CANDELA, W INDICATES SPEAKER WATTAGE

LINE TYPES

	ELECTRICAL EQUIPMENT DESIGNATED BY SOLID HEAVY LINE WEIGHT INDICATES NEW WORK TO BE FURNISHED AND INSTALLED.
	ELECTRICAL EQUIPMENT DESIGNATED BY SOLID LIGHT LINE WEIGHT INDICATES EXISTING EQUIPMENT TO REMAIN, UNLESS OTHERWISE INDICATED.
	ELECTRICAL EQUIPMENT DESIGNATED BY DASHED HEAVY LINE WEIGHT REPRESENTS EXISTING EQUIPMENT TO BE REMOVED AND DISPOSED, UNLESS INDICATED TO BE REMOUNTED, RELOCATED, OR TURNED OVER TO OWNER.
	ELECTRICAL CONDUCTOR DESIGNATED BY SOLID HEAVY LINE WEIGHT INDICATES NEW WIRING FOR CIRCUITS OPERATING AT 120V OR GREATER.
	ELECTRICAL CONDUCTOR DESIGNATED BY DASHED HEAVY LINE WEIGHT INDICATES NEW WIRING FOR CIRCUITS OPERATING AT LESS THAN 120V.

APPLICABLE CODES

- NATIONAL ELECTRICAL CODE 2017 (NFPA 70)
- IBC 2018 CHAPTER 27, CHAPTER 9
- PA UCC
- INTERNATIONAL ENERGY CONSERVATION CODE 2018
- IEEE STD 142-1991 RECOMMENDED PRACTICE FOR GROUNDING OF INDUSTRIAL AND COMMERCIAL POWER SYSTEMS.
- NATIONAL FIRE ALARM AND SIGNALING CODE 2016 (NFPA 72)

ABBREVIATIONS

A	AMPERES
AC	ALTERNATING CURRENT
AF	AMPERES, FRAME
AFS	ABOVE FINISHED FLOOR
AIC	AMPERES, INTERRUPTING CAPACITY
AIR	AMPERES, INTERRUPTING RATING
ARP	AMPERES, RATING PLUG
AT	AMPERES, TRIP
ATS	AUTOMATIC TRANSFER SWITCH
AWG	AMERICAN WIRE GAUGE
B	BASEMENT
C, CN	CONDUIT
CLG	CEILING MOUNTED
CU	COPPER
CT	CURRENT TRANSFORMER
(E)	EXISTING TO REMAIN
EC	ELECTRICAL CONTRACTOR
EM	EMERGENCY
EMT	ELECTRICAL METALLIC TUBING
FMC	FLEXIBLE METAL CONDUIT
G	GROUND
GFCI OR GFI	GROUND FAULT CIRCUIT INTERRUPTER
GRS	GALVANIZED RIGID STEEL
Hz	HERTZ
KA	KILO AMPERES
KCMIL	KILO CIRCULAR MILS
KVA	KILO VOLT AMPERES
KW	KILO WATTS
LFMC	LIQUID-TIGHT FLEXIBLE METAL CONDUIT
MCB	MAIN CIRCUIT BREAKER
MLO	MAIN LUGS ONLY
MOPC	MAXIMUM OVERCURRENT PROTECTION
MOPD	MAXIMUM OVERCURRENT PROTECTIVE DEVICE
MTR	MOTOR
NEC	NATIONAL ELECTRIC CODE
N.O.	NORMALLY OPEN
PH, Ø	PHASE
PT	POTENTIAL TRANSFORMER
RMC	RIGID METAL CONDUIT
RMS	ROOT-MEAN-SQUARE
RNC	RIGID NON-METALLIC CONDUIT
SCCR	SHORT CIRCUIT CURRENT RATING
SPD	SURGE PROTECTION DEVICE
SYM	SYMMETRICAL
TBD	TO BE DETERMINED
TDDE	TIME-DELAY DUAL ELEMENT (FUSES)
TYP	TYPICAL
TELE	TELEPHONE
UON	UNLESS OTHERWISE NOTED
UPS	UNINTERRUPTIBLE POWER SUPPLY
V	VOLTS
XFMR	TRANSFORMER
Z	IMPEDANCE

MEP ENGINEERS:

REVISIONS:

No.	Description	Date

GENERAL NOTES, ABBREVIATIONS & LEGEND

Project number	CW1615.06
Date	03/15/2023
Drawn by	AS/MM
Checked by	RR

E001

REVISIONS:

No.	Description	Date

DEMOLITION & NEW FLOOR PLANS

Project number CW1615.06
Date 03/15/2023
Drawn by AS/MM
Checked by RR

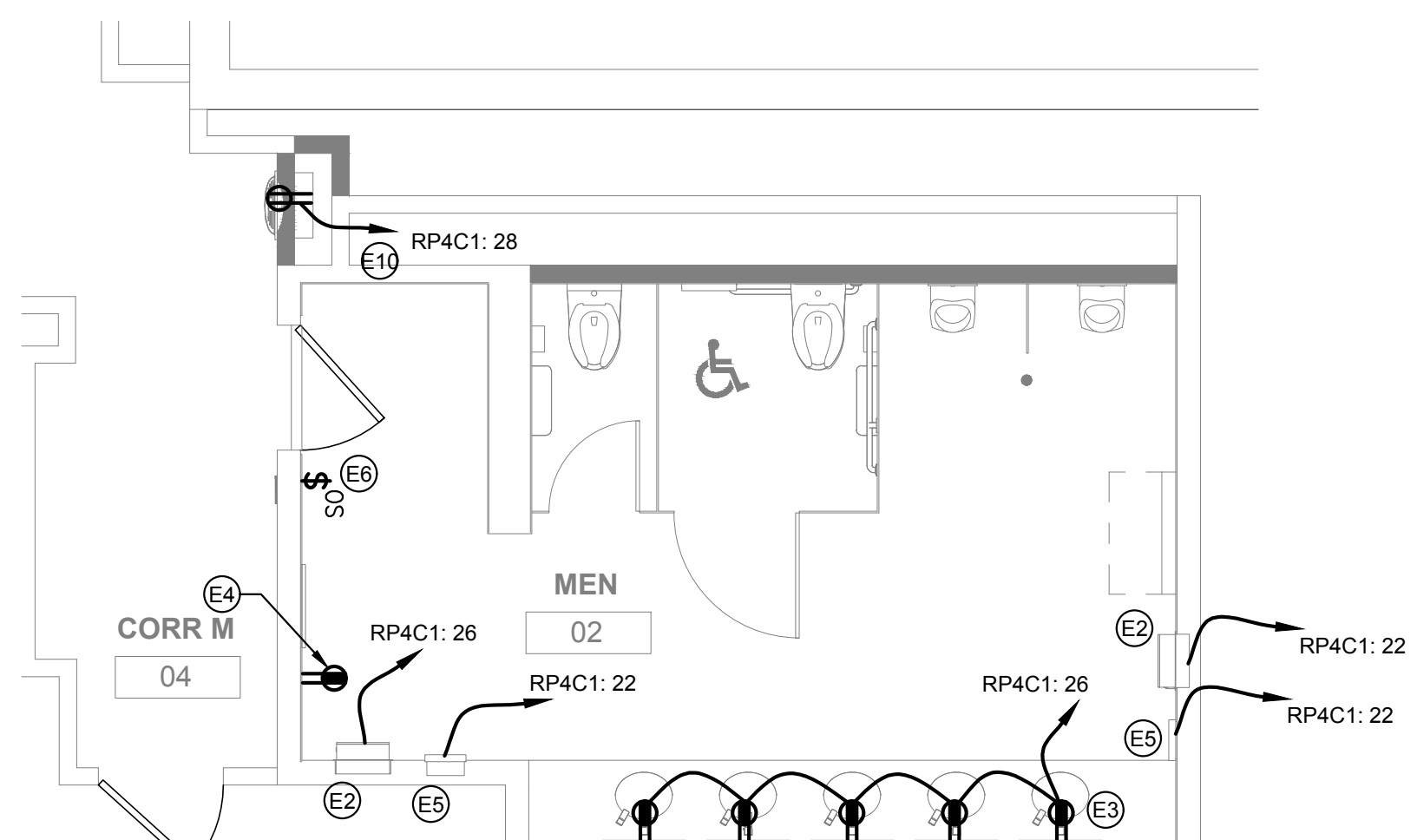
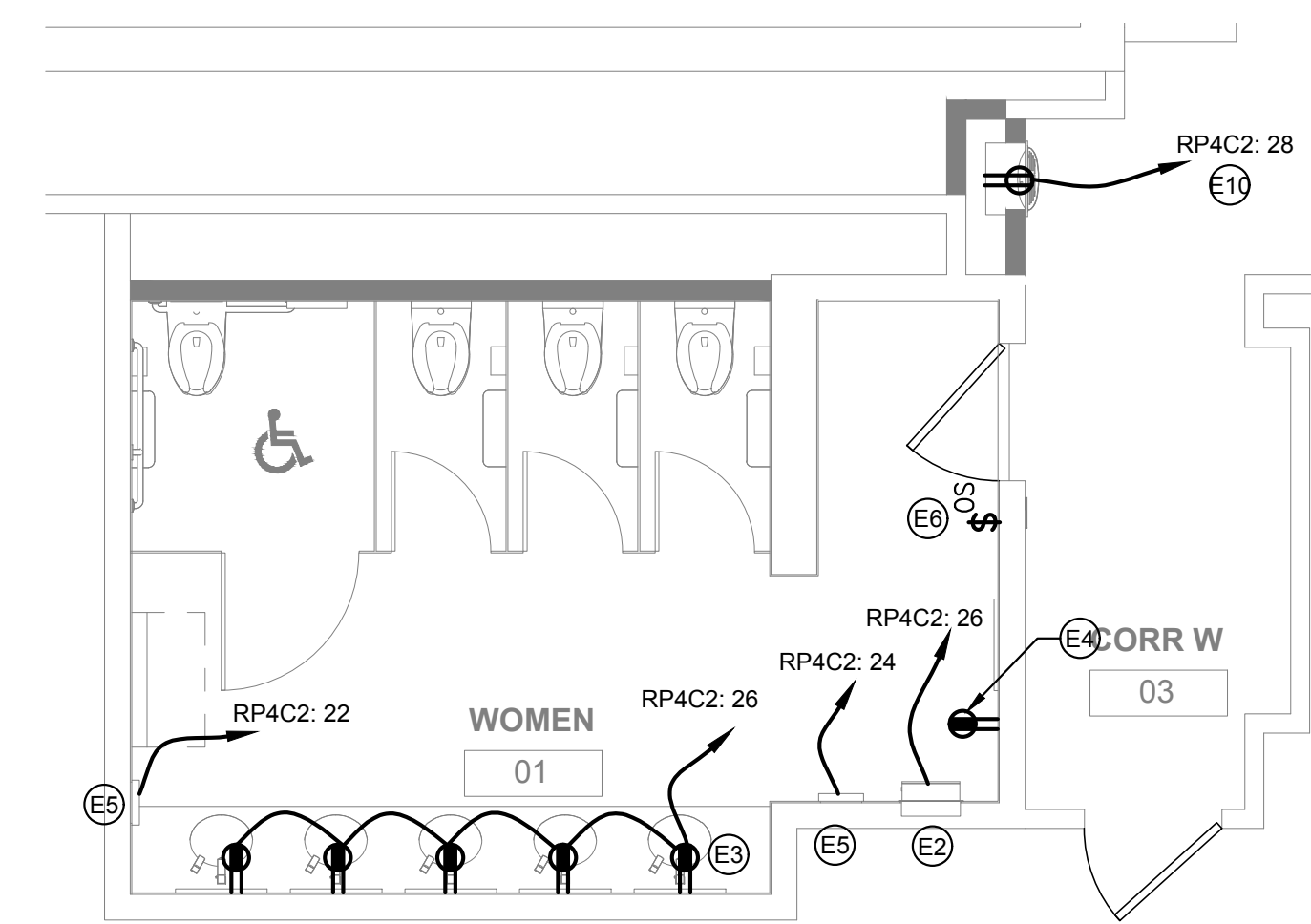
E101
Scale 1/4" = 1'-0"

NEW WORK GENERAL NOTES

- SEE DRAWING E001 FOR GENERAL NOTES, SYMBOLS, AND ABBREVIATIONS.
- SEE THE E800 SERIES DRAWINGS FOR PANEL SCHEDULES AND CIRCUITING.
- ALL WORK SHALL BE PERFORMED IN ACCORDANCE WITH THE LATEST ADOPTED EDITION OF THE NEC.
- ALL CONDUCTORS SHALL BE CU AND THHN/THWN-2 UNLESS OTHERWISE NOTED.
- IN NO CASE SHALL A 277V, 20A/1P CIRCUIT BE LOADED TO OVER 4.432KW OR A 120V, 20A/1P CIRCUIT BE LOADED TO OVER 1.92KW. MAKE CHANGES AS REQUIRED TO ENSURE COMPLIANT LOADING ON BREAKERS.
- EC TO COORDINATE ALL HVAC AND PLUMBING EQUIPMENT LOCATIONS IN FIELD PRIOR TO CIRCUIT INSTALLATION.
- EC TO TRACE ALL CIRCUITS BACK TO SOURCE AND TAKE LOAD READINGS ON CIRCUITS AND PANELBOARD AS REQUIRED TO VERIFY CODE COMPLIANT LOADING AFTER PROJECT IS COMPLETE. MAKE ADJUSTMENTS AS REQUIRED. EC TO RELABEL ALL CIRCUIT DIRECTORIES FOR NEW CONFIGURATION AS REQUIRED AND PROVIDE AS-BUILTS TO CLIENT.
- EC SHALL ENSURE THAT ANY EXPOSED CONDUIT INSTALLED IN FINISHED SPACES FROM THE ELECTRICAL PANEL TO THE RESTROOM IS PAINTED WITH ONE COAT PRIMER AND TWO COATS OF PAINT TO MATCH THE EXISTING SURFACE FINISH. THERE SHALL BE NO EXPOSED CONDUIT WITHIN THE RESTROOM AREAS.
- KEYED NOTES MAY NOT APPEAR ON ALL PLAN VIEWS.
- ALL NEW RECEPTACLE LOCATION MOUNTING HEIGHTS TO MATCH EXISTING IN SAME ROOM.

NEW WORK KEY NOTES

- (E1) EC SHALL FURNISH AND INSTALL CONDUCTORS, RACEWAY, AND DOUBLE GANG BOX WITH (1) NEMA 5-20R DUPLEX RECEPTACLE TO POWER THE CORD AND PLUG CONNECTED ELECTRIC WATER COOLER HYDROBOOST SYSTEM AND (1) 20A MOTOR RATED TOGGLE SWITCH FOR HARDWIRE CONNECTION TO THE COOLING UNIT. FURNISH AND INSTALL (2)#12 AWG CU & (1) #12 CU GND, MC CABLE AND PROVIDE POWER FROM THE MOTOR RATED TOGGLE SWITCH TO THE ELECTRIC WATER COOLER COOLING UNIT. MOUNT RECEPTACLE AND TOGGLE SWITCH WITHIN SPACE BEHIND ELECTRIC WATER COOLER ACCESS PANEL COVER. COORDINATE WORK WITH ELECTRIC WATER COOLER INSTALLER.
- (E2) EC SHALL FURNISH AND INSTALL CONDUCTORS AND RACEWAY TO THE NEW AUTOMATIC PAPER TOWEL EQUIPMENT. PROVIDE ADDITIONAL WIRING AND SPLICES AS REQUIRED TO MAKE CONNECTIONS TO MULTIPLE AUTOMATIC PAPER TOWEL DEVICES. MINIMUM WIRE SIZE SHALL BE #12 AWG CU. COORDINATE WORK WITH PAPER TOWEL EQUIPMENT INSTALLER.
- (E3) EC SHALL FURNISH AND INSTALL GFCI RECEPTACLES UNDERNEATH THE SINK COUNTERTOP TO SUPPLY POWER TO NEW AUTOMATIC FAUCET, LED SINK LIGHTING, AND SOAP DISPENSERS. PROVIDE POWER FROM THE NEW 120V CIRCUIT SHOWN AND EXTEND CIRCUIT TO FEED THE ADDITIONAL RECEPTACLES FOR EACH SINK. MINIMUM WIRE SIZE SHALL BE #12 AWG CU. COORDINATE WORK WITH INSTALLATION OF SINK EQUIPMENT.
- (E4) EC SHALL FURNISH AND INSTALL RECEPTACLE AT THE LOCATION SHOWN. PROVIDE SPLICES AND NEW WIRING TO EXTEND CIRCUIT AS REQUIRED.
- (E5) EC SHALL FURNISH AND INSTALL NEW CONDUCTOR AND RACEWAY TO THE NEW WALL MOUNTED HAND DRYER EQUIPMENT.
- (E6) EC SHALL FURNISH AND INSTALL NEW 24V OCCUPANCY SENSOR WALL SWITCH AND 20A, 120/277V POWER PACK TO COORDINATE WITH CEILING MOUNTED LIGHTING CONTROLS. PROVIDE SPLICES AND NEW WIRING TO EXTEND CIRCUIT AS REQUIRED TO THE POWER PACK. REFER TO DETAIL 1/E701 FOR LOW VOLTAGE OCCUPANCY SENSOR WIRING DIAGRAM.
- (E7) EC SHALL FURNISH AND INSTALL GFCI RECEPTACLE AND NEW WIRING AND MAKE CONNECTIONS TO EXISTING RECEPTACLE IN ADJACENT ROOM.
- (E8) EC SHALL FURNISH AND INSTALL NEW WIRING AND CONDUIT TO EDGELIT MIRRORS. COORDINATE 120V POWER SUPPLY WITH 120V POWER PACK AND CEILING LIGHTING CONTROLS AS SHOWN IN DETAIL 3/E701.
- (E9) NEW RECEPTACLE AT EXISTING LOCATION.
- (E10) EC SHALL FURNISH AND INSTALL 20A/1P GFCI CIRCUIT BREAKER IN PANEL FOR WATER BOTTLE FILLER STATION. PROVIDE POWER CONNECTION TO WATER BOTTLE FILLER STATION OUTLET BOX. COORDINATE WITH PLUMBING CONTRACTOR FOR INSTALLATION MANUAL FOR EXACT LOCATION IN WATER BOTTLE FILLER STATION FRAMING. PROVIDE LABEL WITH BRANCH CIRCUIT INFORMATION (PANEL: CIRCUIT NUMBER) USING SELF-ADHESIVE TAPE IN ELECTRONIC LABELER ON WATER FOUNTAIN.

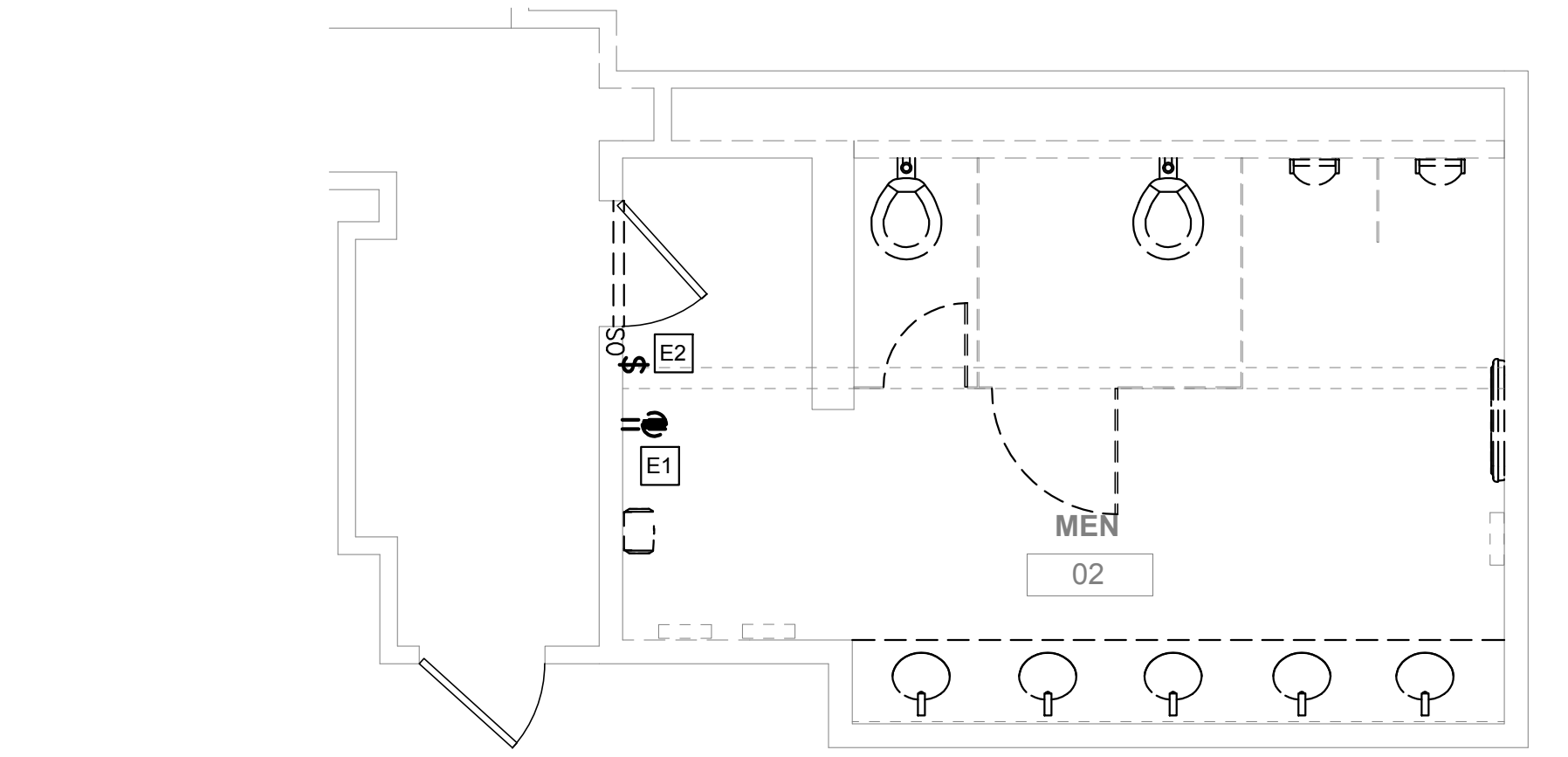
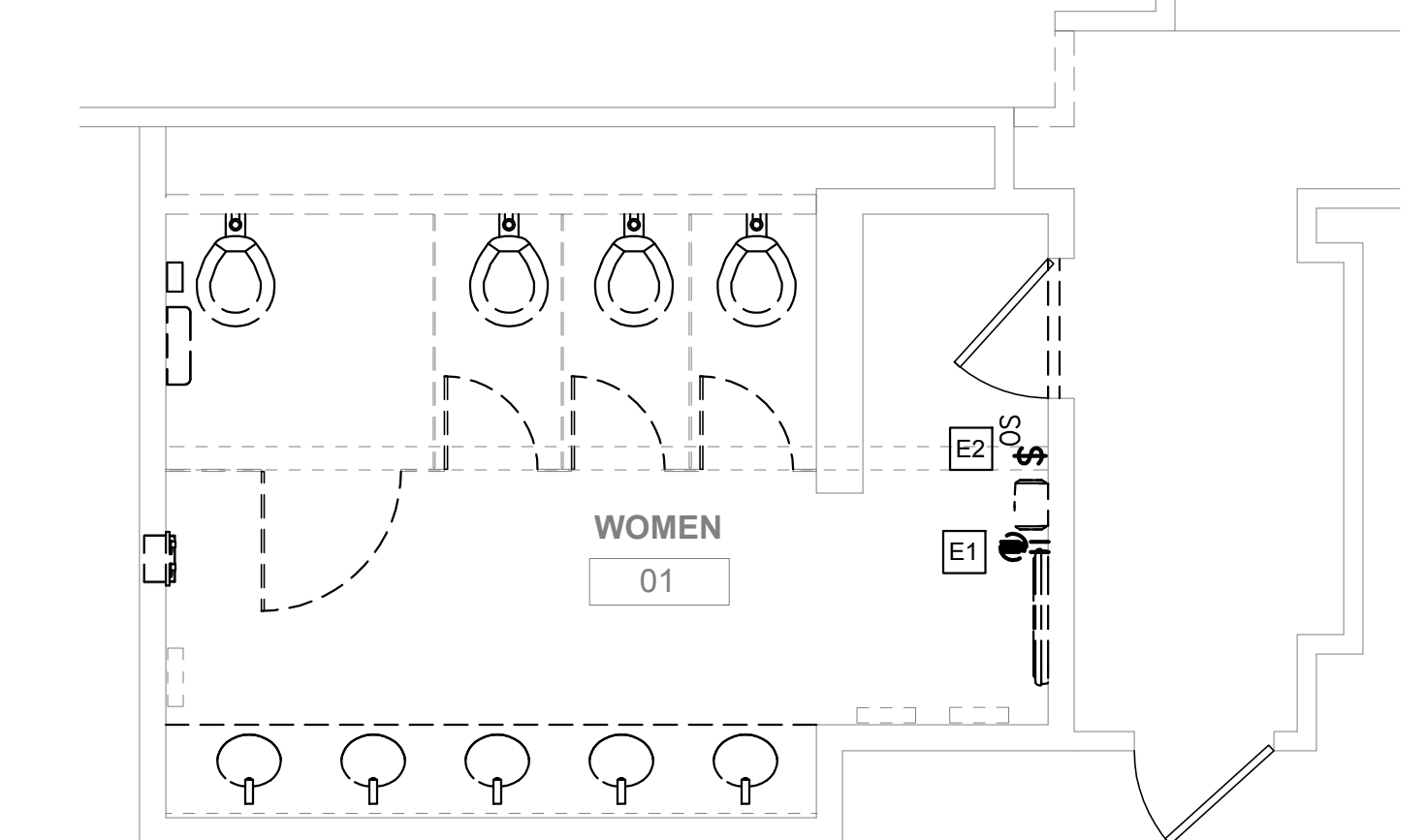


(E) RP4C-2
LOCATED IN MECH RM
APPROXIMATELY 150 FT AWAY
FROM RESTROOM

(E) RP4C-1
LOCATED IN MECH RM 3N-25
APPROXIMATELY 150 FT AWAY
FROM RESTROOM

3 PLAN - WOMEN'S RESTROOM
E101 SCALE: 1/4" = 1'-0"

4 PLAN - MEN'S RESTROOM
E101 SCALE: 1/4" = 1'-0"



1 DEMO PLAN - WOMEN'S RESTROOM
E101 SCALE: 1/4" = 1'-0"

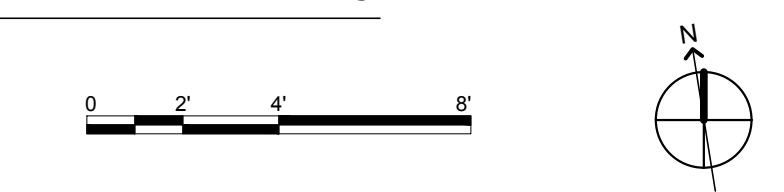
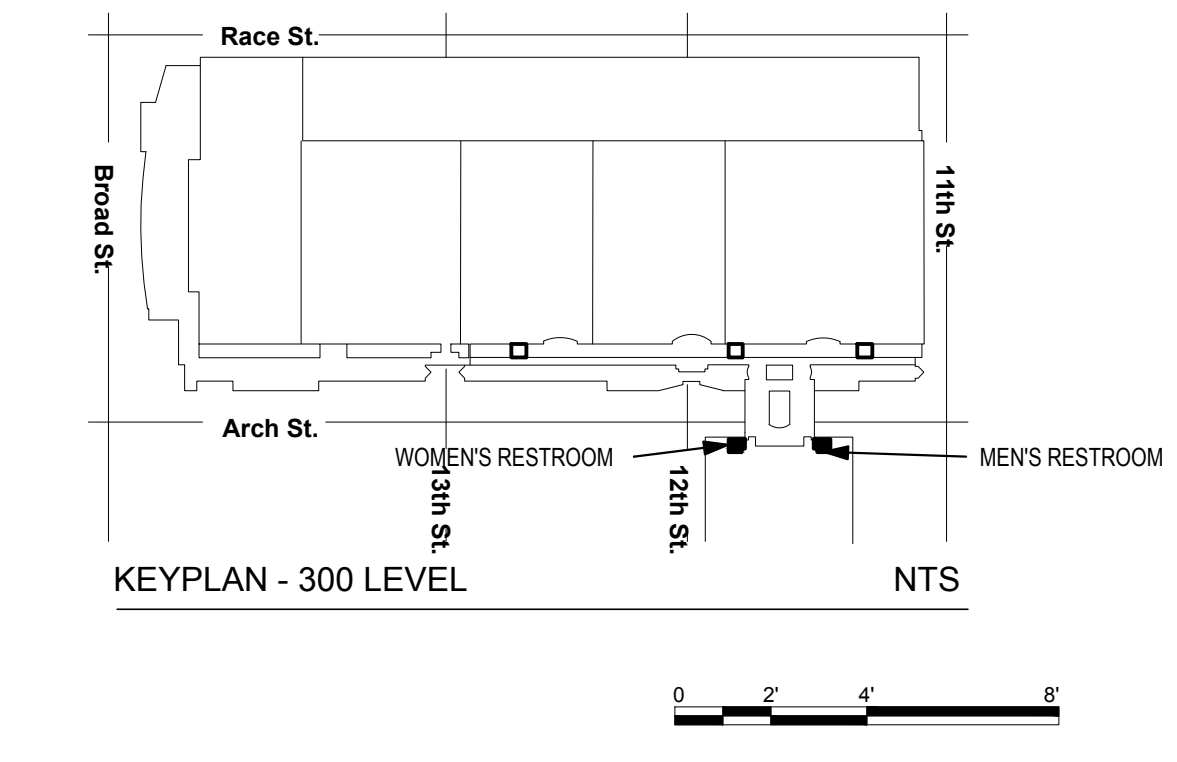
2 DEMO PLAN - MEN'S RESTROOM
E101 SCALE: 1/4" = 1'-0"

DEMOLITION GENERAL NOTES

- SEE DRAWING E001 FOR GENERAL NOTES, SYMBOLS, AND ABBREVIATIONS.
- PRIOR TO THE START OF WORK, EC SHALL LOCATE ALL LIGHTING AND POWER PANEL SUPPLY CIRCUITS FOR THE WORK AREA AND RECORD PANEL AND CIRCUIT NUMBER ON RECORD DRAWINGS.
- EC SHALL FIELD INVESTIGATE EXISTING LIGHT FIXTURES TO VERIFY NORMAL AND EMERGENCY FIXTURE VOLTAGES AND ENSURE NEW LIGHTING FIXTURES ARE SELECTED WITH VOLTAGES TO MATCH EXISTING.
- EC SHALL REMOVE AND DISPOSE OF ALL LIGHT FIXTURES WITHIN THE WORK AREA. TAG AND PRESERVE EXISTING LIGHTING CIRCUITS FOR FUTURE RECONNECTION TO NEW LIGHTING FIXTURES.
- FURNISH AND INSTALL JUNCTION BOXES WHERE REQUIRED TO CONTINUE CIRCUITS OUTSIDE OF WORK AREA.
- KEYED NOTES MAY NOT APPEAR ON ALL PLAN VIEWS.

DEMOLITION KEY NOTES

- (E1) EC SHALL DEMOLISH EXISTING RECEPTACLE/LIGHT SWITCH, BACK BOX, CONDUIT AND WIRE. CAP WIRES ABOVE CEILING FOR SPLICING AND EXTENSION TO NEW LOCATION PER NEW WORK KEYED NOTE E4.
- (E2) EC SHALL DISCONNECT AND REMOVE THE EXISTING RECEPTACLE/OCCUPANCY SENSOR SWITCH. PRESERVE THE EXISTING CONDUCTORS FOR RECONNECTION TO NEW RECEPTACLE/SWITCHING CONTROLS.
- (E3) (NOT USED)



REVISIONS:

No.	Description	Date

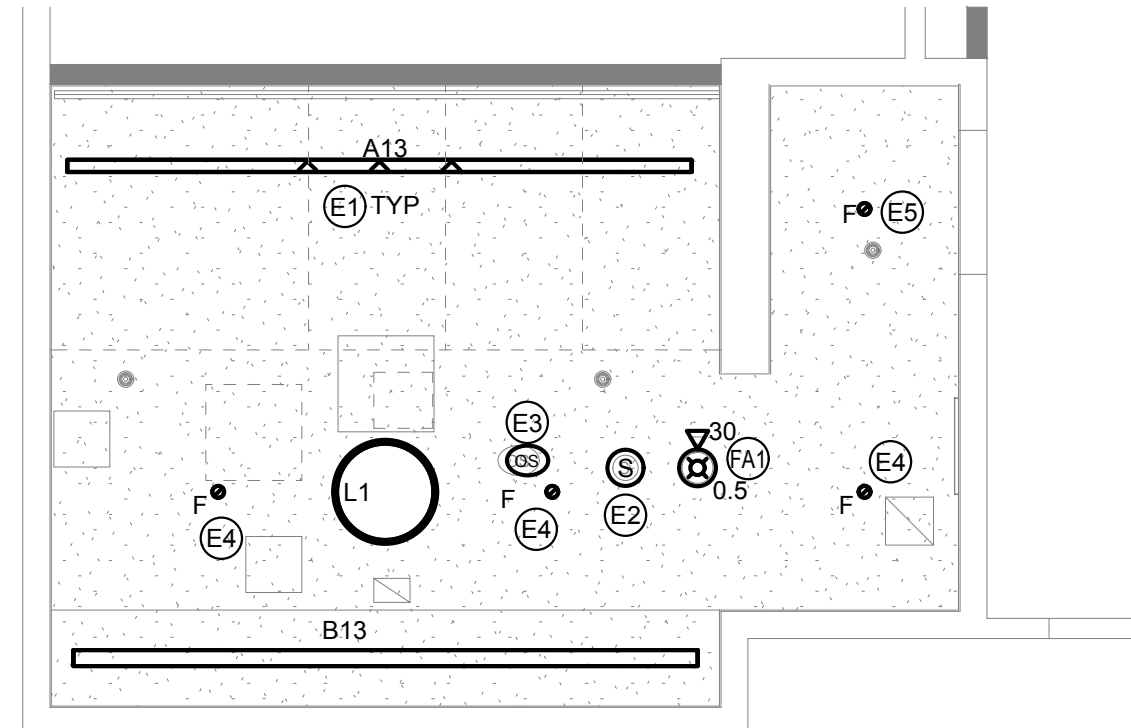
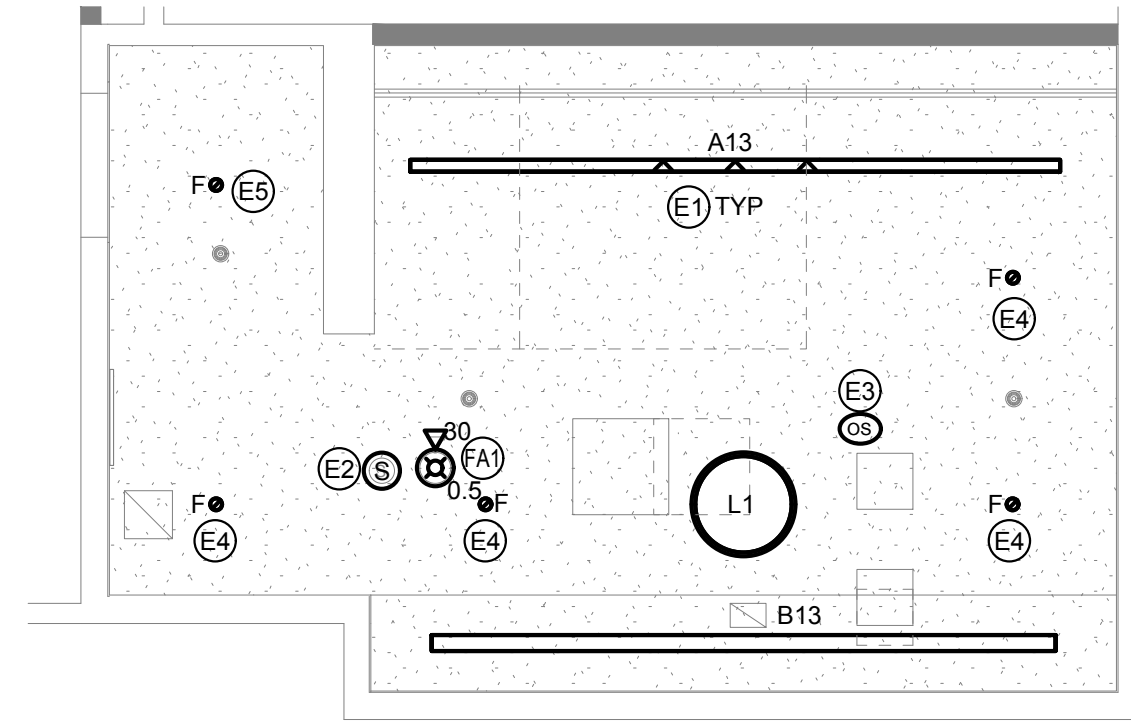
REFLECTED CEILING PLANS

NEW WORK GENERAL NOTES

- SEE DRAWING E001 FOR GENERAL NOTES, SYMBOLS, AND ABBREVIATIONS.
- ALL WORK SHALL BE PERFORMED IN ACCORDANCE WITH THE LATEST ADOPTED EDITION OF THE NEC.
- ALL CONDUCTORS SHALL BE CU AND THHN/THWN UNLESS OTHERWISE NOTED.
- IN NO CASE SHALL A 277V, 20A/1P CIRCUIT BE LOADED TO OVER 4.432KW OR A 120V, 20A/1P CIRCUIT BE LOADED TO OVER 1.92KW. MAKE CHANGES AS REQUIRED TO ENSURE COMPLIANT LOADING ON BREAKERS.
- EC TO TRACE ALL CIRCUITS BACK TO SOURCE AND TAKE LOAD READINGS ON CIRCUITS AND PANELBOARD AS REQUIRED TO VERIFY CODE COMPLIANT LOADING AFTER PROJECT IS COMPLETE. MAKE ADJUSTMENTS AS REQUIRED. EC TO RELABEL ALL CIRCUIT DIRECTORIES FOR NEW CONFIGURATION AS REQUIRED AND PROVIDE AS-BUILTS TO CLIENT.
- BASIS OF DESIGN FOR OCCUPANCY SENSORS IS AS FOLLOWS. EC SHALL MAKE ALL NECESSARY WIRING CONNECTIONS PER MANUFACTURER'S RECOMMENDATIONS AND ADJUST FOR MAXIMUM COVERAGE IN THE FIELD. REFER TO OCCUPANCY SENSOR WIRING DIAGRAMS ON DRAWING E701 FOR MORE INFORMATION.
 BASIS OF DESIGN:
 - CEILING MOUNTED: HUBBELL OMNID200 (360°, 22' RADIUS)
 - WALL MOUNTED: HUBBELL CONTROLS: LHMTS1-24V-WH
- KEYED NOTES MAY NOT APPEAR ON ALL PLAN VIEWS.

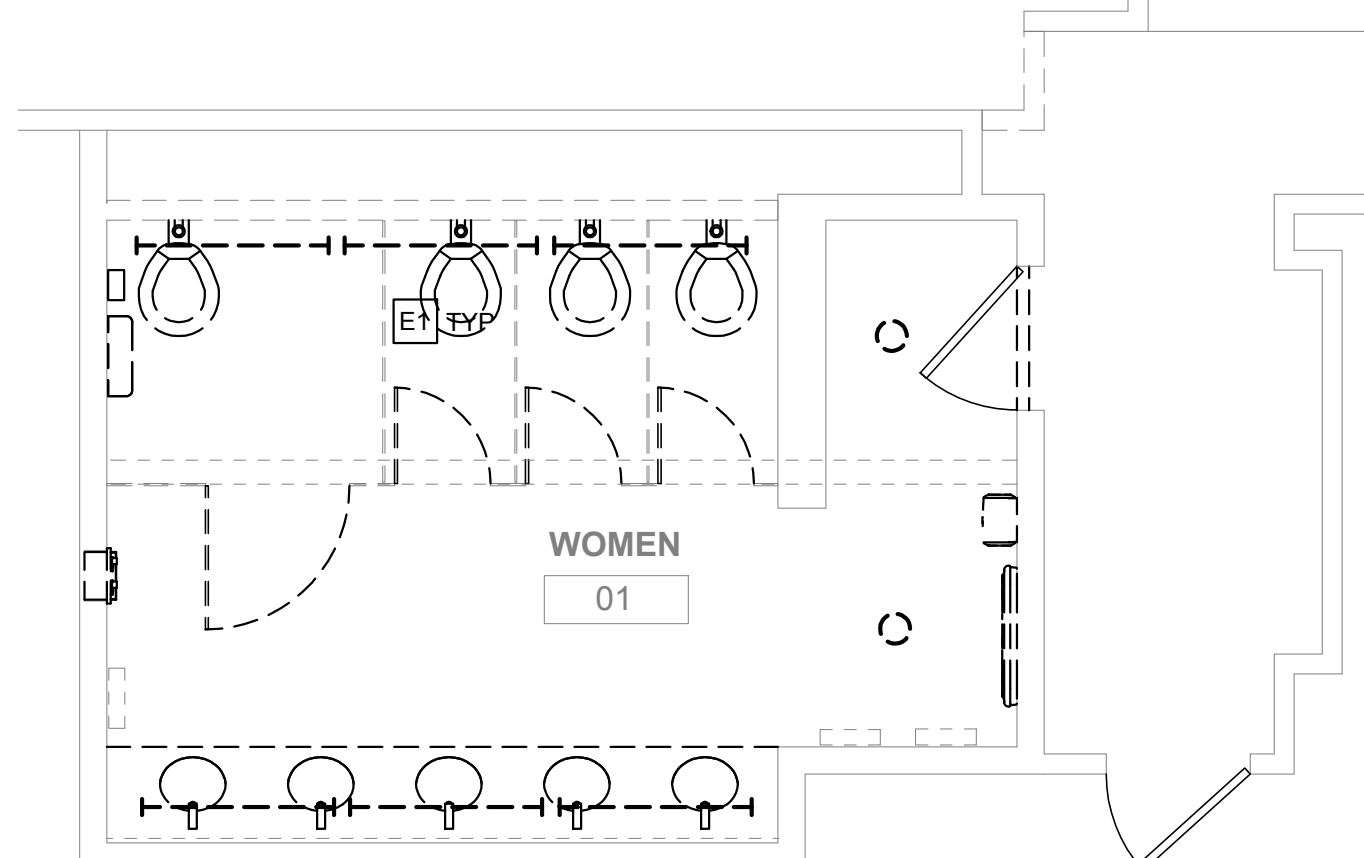
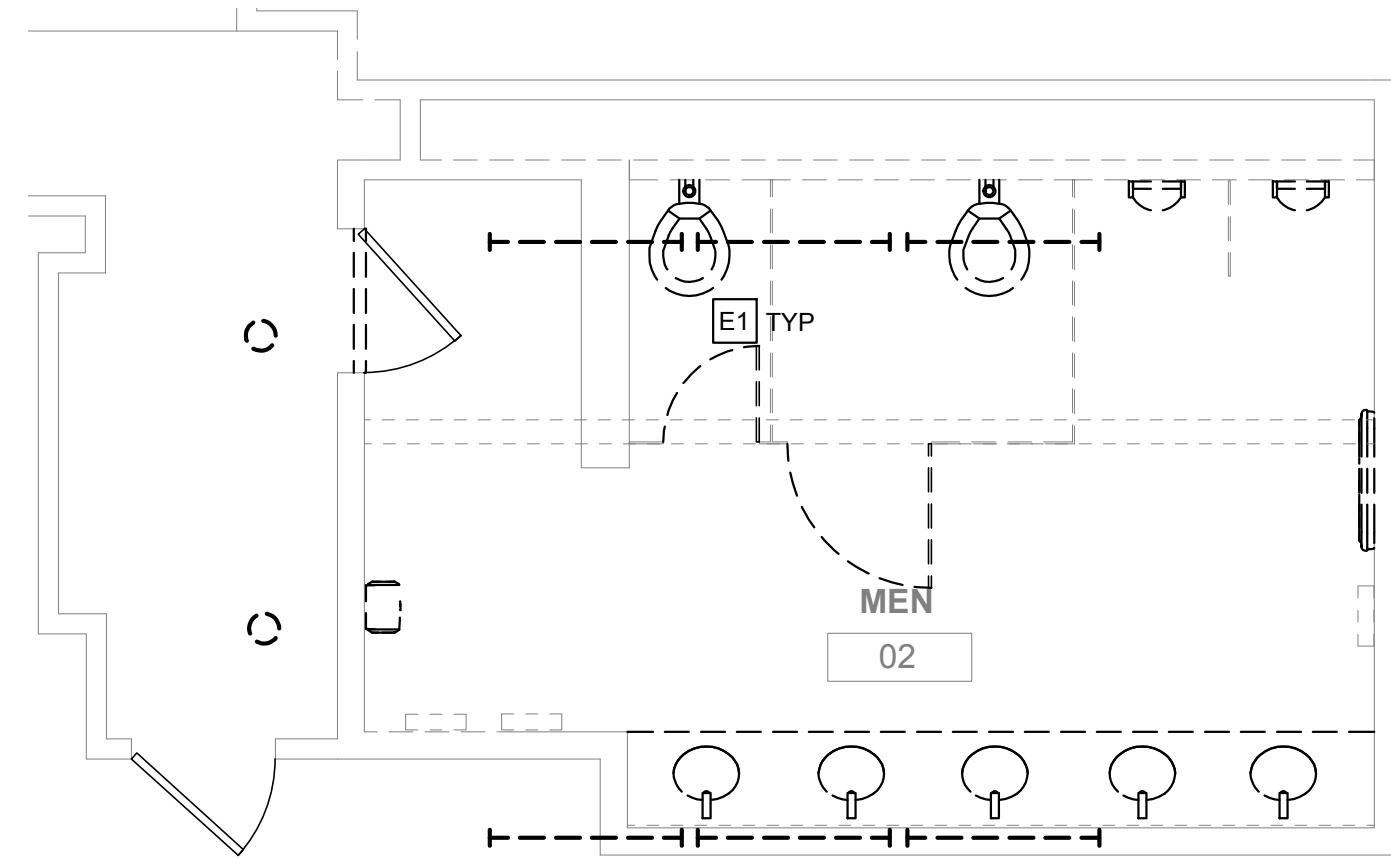
NEW WORK KEY NOTES

- (E1)** EC SHALL FURNISH AND INSTALL ALL NEW LIGHTING AS SHOWN ON THE ARCHITECTURAL DRAWINGS. MAKE CONNECTIONS TO THE EXISTING 277V LIGHTING CIRCUITS PRESERVED DURING DEMOLITION. PROVIDE ADDITIONAL WIRING AND SPLICES AS REQUIRED TO MAKE CONNECTIONS AND COORDINATE WITH LIGHTING CONTROLS AS SHOWN IN DETAIL 1/E701. MINIMUM WIRE SIZE SHALL BE #12 AWG CU.
- (E2)** EC SHALL CONNECT POWER SUPPLY TO NEW SPEAKERS AND INSTALL AS INDICATED ON ARCHITECTURAL REFLECTED CEILING PLAN. PROVIDE ADDITIONAL WIRING AND SPLICES AS REQUIRED TO MAKE CONNECTIONS. MINIMUM WIRE SIZE SHALL BE #12 AWG CU.
- (E3)** EC SHALL FURNISH AND INSTALL CEILING MOUNTED OCCUPANCY SENSOR FOR AUTOMATIC LIGHTING CONTROL. PROVIDE SPLICES AND EXTEND EXISTING CIRCUITS AS REQUIRED TO ENSURE THE SENSOR IS COORDINATED WITH THE WALL MOUNTED SWITCH TO MEET THE DESIGN INTENT. MINIMUM WIRE SIZE SHALL BE #12 AWG CU.
- (E4)** LIGHTING FIXTURE(S) TO PROVIDE EGRESS LIGHTING. EC SHALL FURNISH AND INSTALL GENERATOR TRANSFER DEVICE AND CONNECT THE PRESERVED NORMAL LIGHTING CIRCUIT AND PRESERVED EMERGENCY CIRCUIT TO ENSURE LIGHT IS PROVIDED POWER FROM EMERGENCY CIRCUIT DURING NORMAL POWER OUTAGE. REFER TO DETAIL 2/E701 FOR MORE INFORMATION.
- (E5)** LIGHTING FIXTURE TO OPERATE AS 'NIGHT LIGHT' FIXTURE AND PROVIDE EGRESS LIGHTING IN THE EVENT OF LOSS OF NORMAL POWER. EC SHALL PROVIDE POWER IN THE SPACE. PROVIDE POWER TO FIXTURE FROM THE EMERGENCY CIRCUIT AT A POINT AHEAD OF ANY SWITCHING. LIGHT TO REMAIN ON AT ALL TIMES.
- (FA1)** EC SHALL PROVIDE AND INSTALL IN-KIND FIRE ALARM NOTIFICATION APPLIANCE AND INITIATION DEVICES AS INDICATED ON ARCHITECTURAL REFLECTED CEILING PLAN. FURNISH AND INSTALL RECESSED BACKBOX AND CEILING TILE SUPPORT BRACKETS AS NEEDED. PROPERLY EXTEND CIRCUITING AS REQUIRED. NEW FIRE ALARM DEVICES SHALL BE IDENTICAL AND/OR BE COMPATIBLE WITH EXISTING FIRE ALARM DEVICES THROUGHOUT THE FACILITY.



4 REFLECTED CEILING PLAN - MEN'S RESTROOM
 E601 SCALE: 1/4" = 1'-0"

3 REFLECTED CEILING PLAN - WOMEN'S RESTROOM
 E601 SCALE: 1/4" = 1'-0"



2 DEMO RCP - MEN'S RESTROOM
 E601 SCALE: 1/4" = 1'-0"

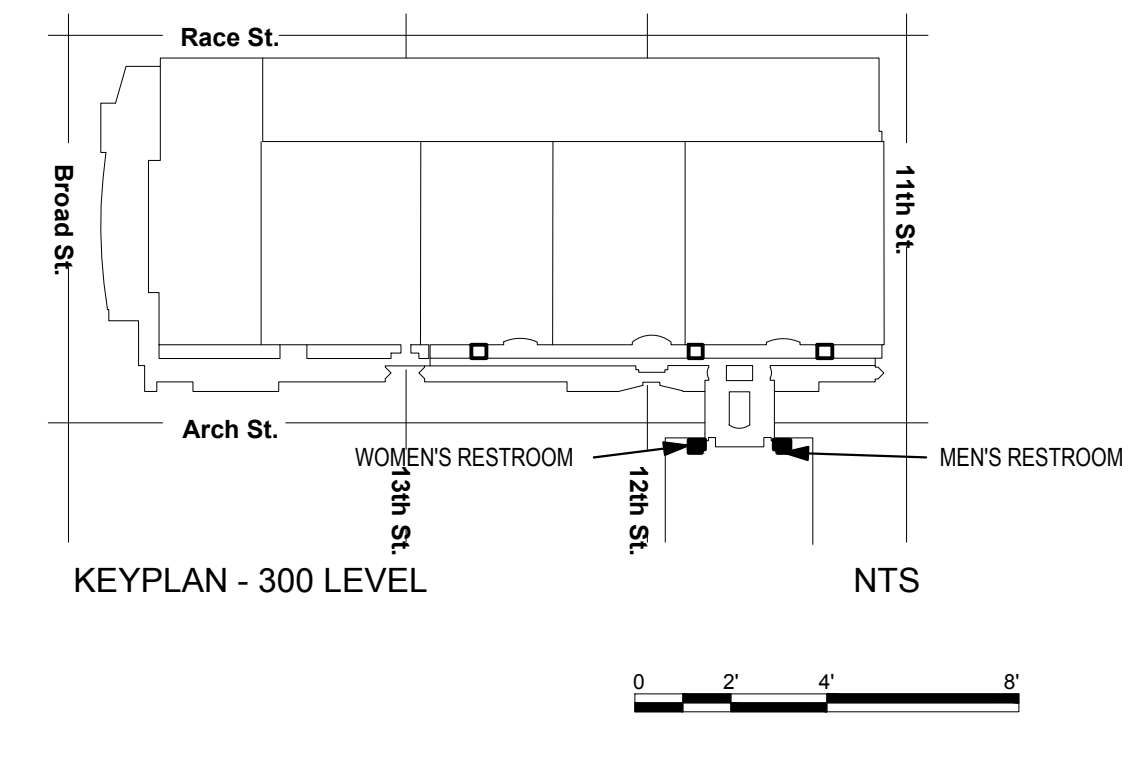
1 DEMO RCP - WOMEN'S RESTROOM
 E601 SCALE: 1/4" = 1'-0"

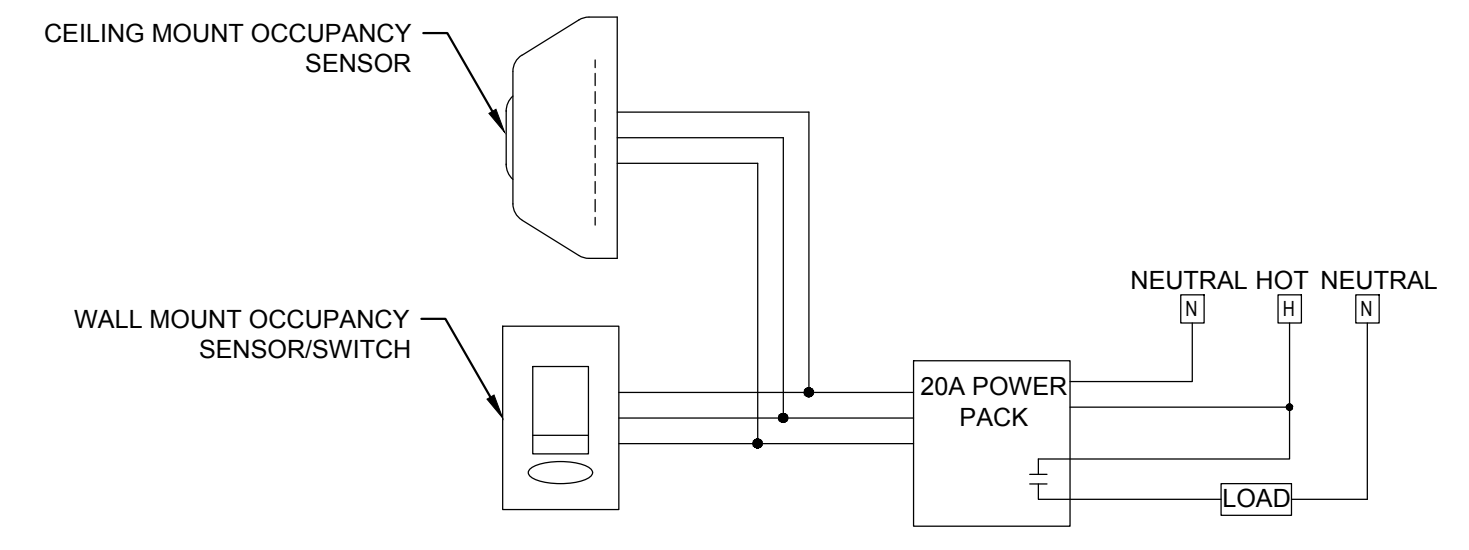
DEMOLITION GENERAL NOTES

- SEE DRAWING E001 FOR GENERAL NOTES, SYMBOLS, AND ABBREVIATIONS.
- PRIOR TO THE START OF WORK, EC SHALL LOCATE ALL LIGHTING AND POWER PANEL SUPPLY CIRCUITS FOR THE WORK AREA AND RECORD PANEL AND CIRCUIT NUMBER ON RECORD DRAWINGS.
- EC SHALL FIELD INVESTIGATE EXISTING LIGHT FIXTURES TO VERIFY NORMAL AND EMERGENCY FIXTURE VOLTAGES AND ENSURE NEW LIGHTING FIXTURES ARE SELECTED WITH VOLTAGES TO MATCH EXISTING.
- EC SHALL REMOVE AND DISPOSE OF ALL LIGHT FIXTURES WITHIN THE WORK AREA. TAG AND PRESERVE EXISTING LIGHTING CIRCUITS FOR FUTURE RECONNECTION TO NEW LIGHTING FIXTURES.
- FURNISH AND INSTALL JUNCTION BOXES WHERE REQUIRED TO CONTINUE CIRCUITS OUTSIDE OF WORK AREA.
- KEYED NOTES MAY NOT APPEAR ON ALL PLAN VIEWS.

DEMOLITION KEY NOTES

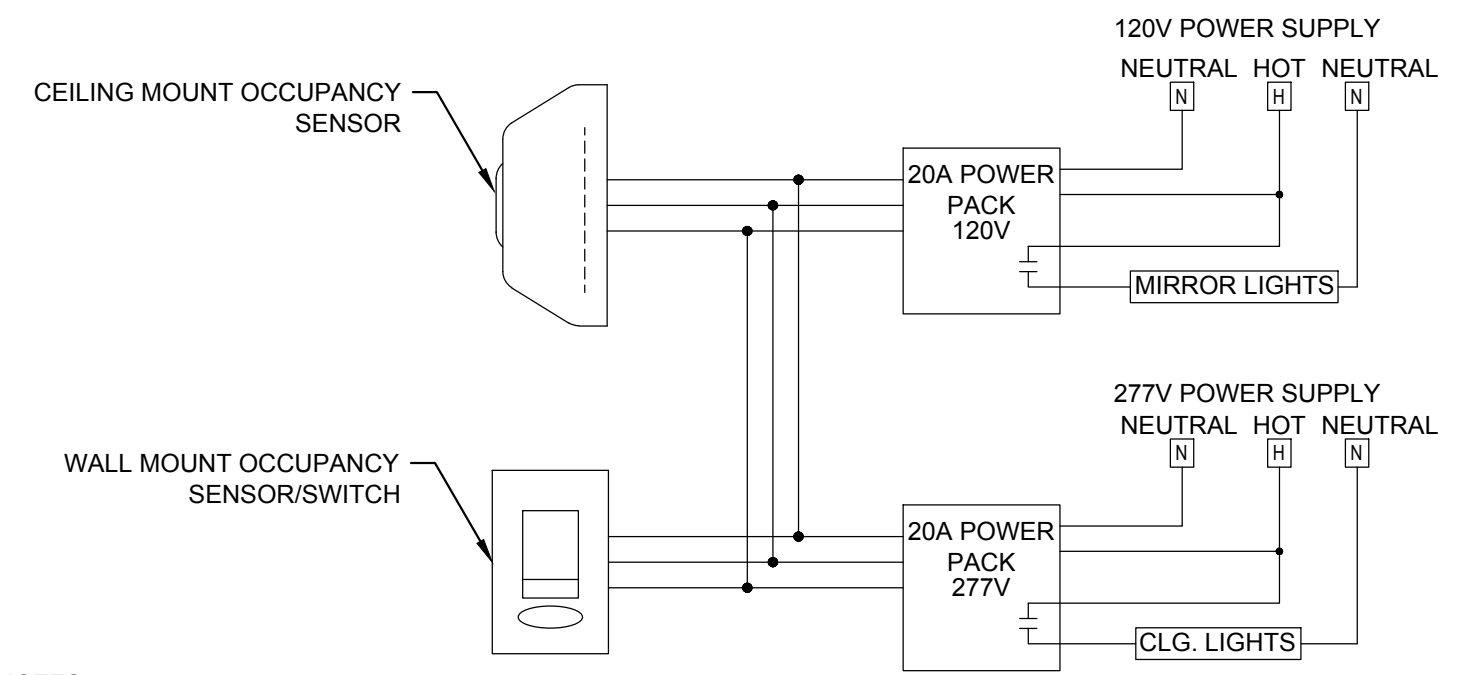
- (E1)** EC SHALL REMOVE AND DISPOSE OF ALL LIGHT FIXTURES WITHIN THE WORK AREA. PRESERVE EXISTING LIGHTING CIRCUITS FOR FUTURE RECONNECTION TO NEW LIGHTING FIXTURES.
- (E2)** EC SHALL REMOVE AND DISPOSE OF CEILING-MOUNTED SPEAKERS. EC SHALL DISCONNECT POWER SUPPLY TO SPEAKERS AND PRESERVE FOR NEW SPEAKER INSTALLATION IN NEW LOCATION. REFER TO ARCHITECTURAL REFLECTED CEILING PLAN FOR PROPOSED LAYOUT.
- (FA1)** EC SHALL REMOVE AND DISCONNECT FIRE ALARM DEVICES WITHIN THE DESIGNATED AREA OF WORK TO ACCOMMODATE CEILING REPLACEMENT. SUPPORT EXISTING FIRE ALARM WIRING FOR TERMINATION TO BE REINSTALLED AS INDICATED ON ARCHITECTURAL REFLECTED CEILING PLAN. CIRCUIT CONTINUITY MUST BE MAINTAINED AT ALL TIMES AS NOT TO AFFECT REMAINING DEVICES NOT INCLUDED IN THIS WORK. ALL WIRING SHALL BE TAGGED AS REQUIRED FOR REINSTALLATION OF NEW DEVICES.





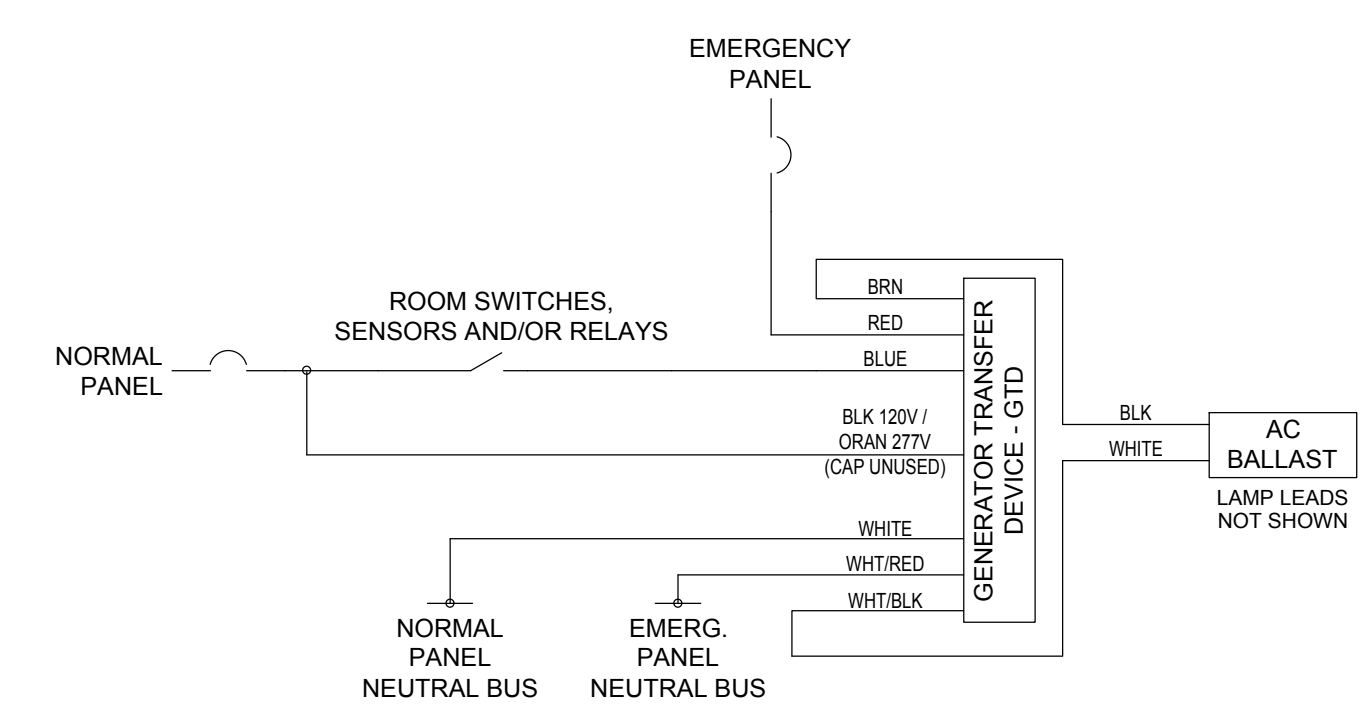
- NOTES**
1. LOW VOLTAGE OCCUPANCY SENSOR WIRING DIAGRAM IS BASED ON HUBBELL. CONTRACTOR SHALL MAKE ANY FIELD WIRING MODIFICATIONS NECESSARY TO ACHIEVE DESIGN INTENT.
 2. REFER TO E001 FOR OCCUPANCY SENSOR DEVICE BASIS OF DESIGN.

1 TYPICAL OCCUPANCY SENSOR WIRING DIAGRAM
 E701 NOT TO SCALE



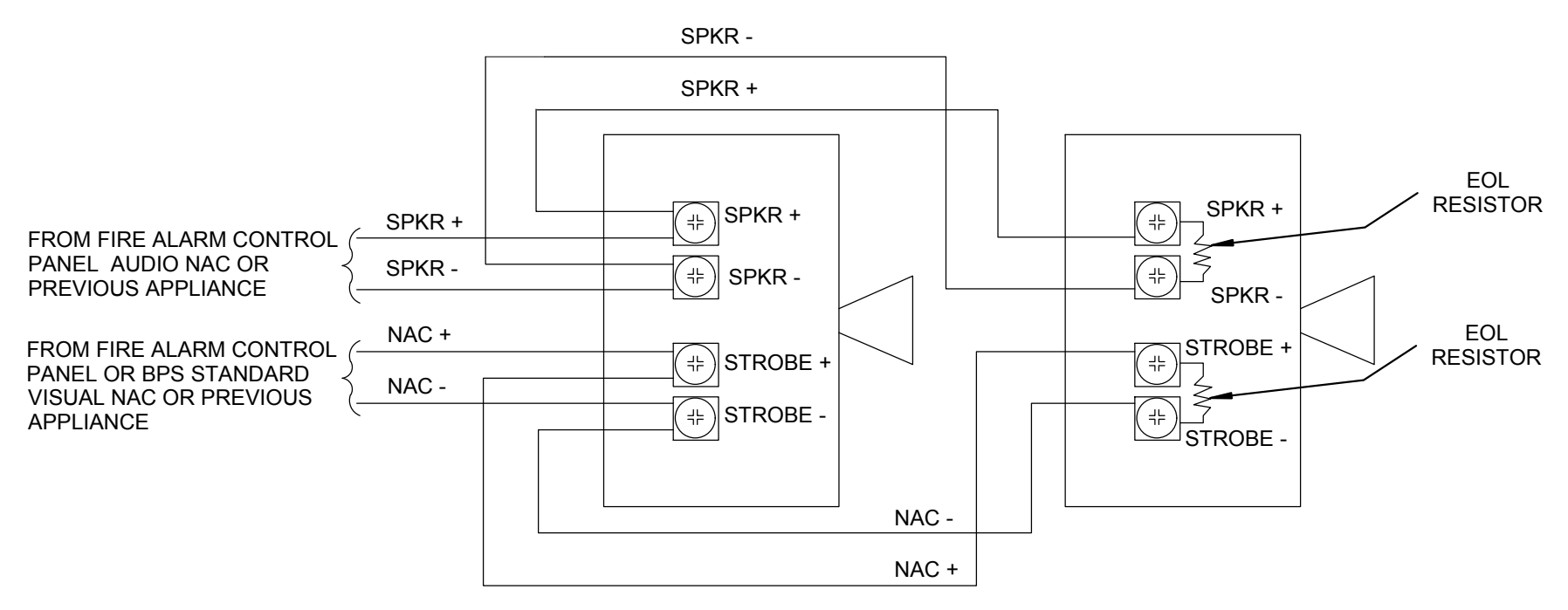
- NOTES**
1. LOW VOLTAGE OCCUPANCY SENSOR WIRING DIAGRAM IS BASED ON HUBBELL. CONTRACTOR SHALL MAKE ANY FIELD WIRING MODIFICATIONS NECESSARY TO ACHIEVE DESIGN INTENT.
 2. REFER TO E001 FOR OCCUPANCY SENSOR DEVICE BASIS OF DESIGN.

3 TYPICAL OCCUPANCY SENSOR WIRING DIAGRAM WITH EDGE LIT MIRRORS
 E701 NOT TO SCALE



- NOTES**
1. EMERGENCY LIGHTING TRANSFER DEVICE WIRING IS BASED ON BODINE GTD EMERGENCY LIGHTING CONTROL DEVICE. CONTRACTOR SHALL MAKE ANY FIELD WIRING MODIFICATIONS NECESSARY TO ACHIEVE DESIGN INTENT.

2 EMERGENCY LIGHTING TRANSFER DEVICE WIRING DIAGRAM
 E701 NOT TO SCALE



- WIRING NOTES:**
1. NOTIFICATION APPLIANCES ARE RATED PER INDIVIDUAL NAMEPLATE LABEL.
 2. MAINTAIN CORRECT POLARITY ON TERMINAL CONNECTIONS.
 3. DO NOT LOOP WIRES UNDER TERMINALS.
 4. ALL NAC WIRING CONNECTIONS ARE SUPERVISED AND POWER-LIMITED.
 5. SEE INSTALLATION INSTRUCTIONS FOR ADDITIONAL INFORMATION.
- STROBE INFORMATION:**
1. RATED VOLTAGE RANGE: UL LISTED: 16VDC TO 33 VDC PER UL 1971.
 2. FLASH RATE: 1Hz (TYPICAL), TO BE CONFIRMED WITH MANUFACTURER'S INFORMATION.
 3. SYNCHRONIZED MODE NAC LOADING: MAXIMUM OF SYNCHRONIZED STROBES PER NAC CIRCUIT TO BE CONFIRMED WITH MANUFACTURER'S INFORMATION.

4 FIRE ALARM NOTIFICATION APPLIANCE WIRING DIAGRAM
 E701 NOT TO SCALE

REVISIONS:

No.	Description	Date
1		
2		

PENNSYLVANIA CONVENTION CENTER
PCCA RESTROOM RENOVATIONS OVERLOOK RESTROOMS
 1101 ARCH STREET, PHILADELPHIA, PA 19107

ELECTRICAL DETAILS AND DIAGRAMS

Project number	CW1615.06
Date	03/15/2023
Drawn by	AS/MM
Checked by	RR

E701
 Scale NOT TO SCALE

